

STBD SHOWN
PORT DIFF. DWG.

FMT - 23AS-PS

P/N:

Wt: 21.0 LBS

FINISH:

NONE

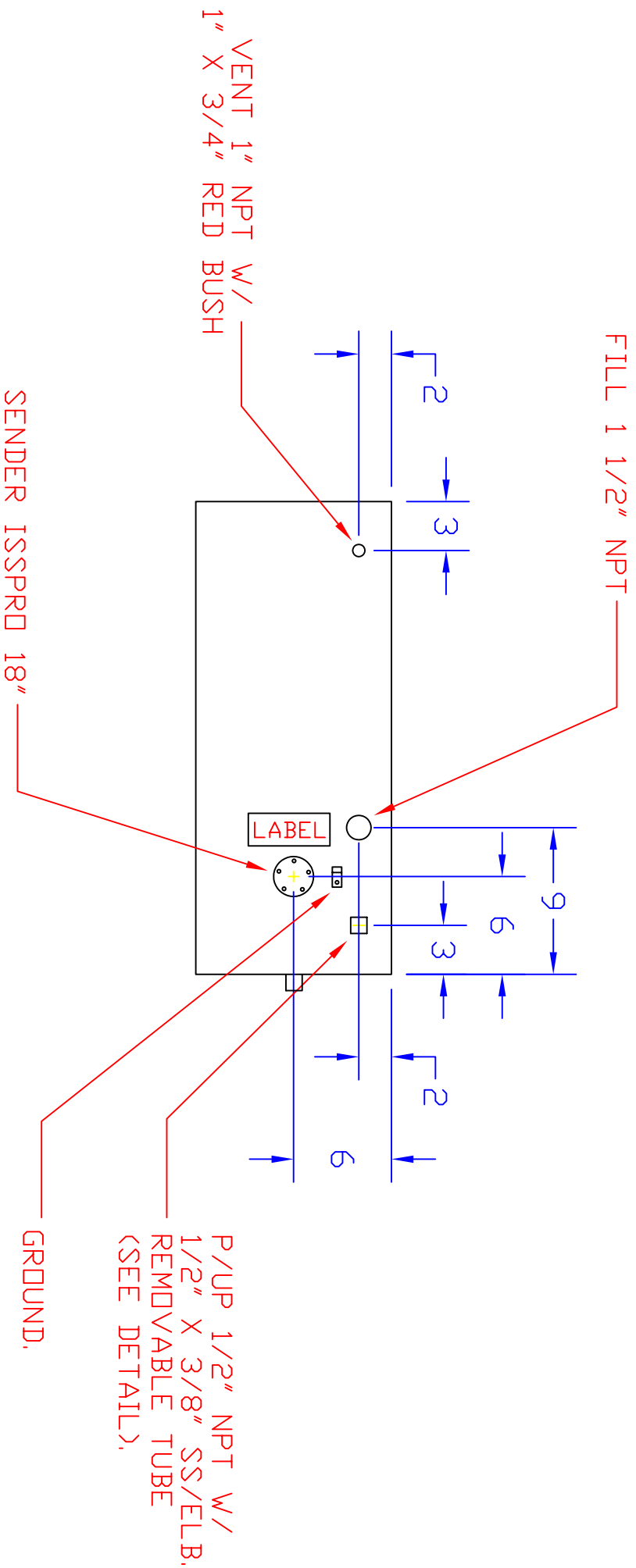
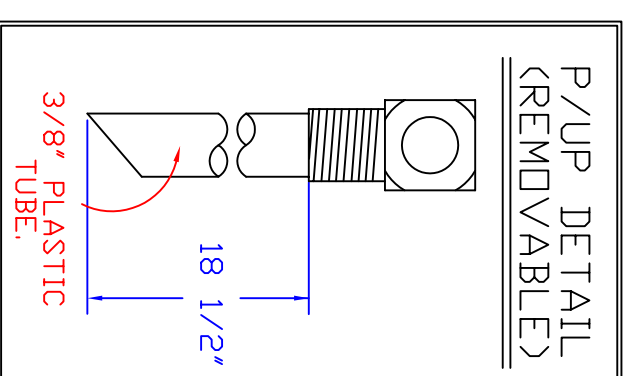
CUTTING SPECIFICATIONS:

BDY: 61 X 11 3/4

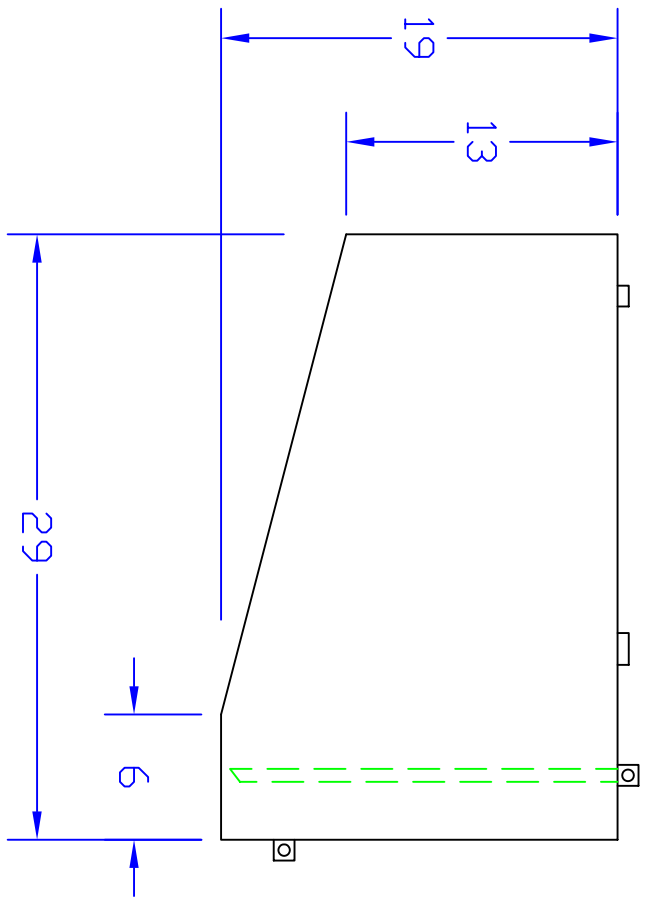
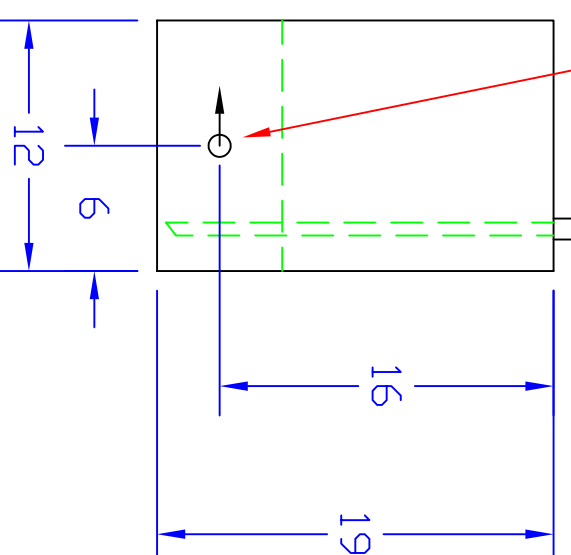
TOP: 28 3/4 X 11 3/4

END: 28 3/4 X 18 3/4

REVISIONS:



TRANSFER 1/2" NPT W/
1/2" X 3/8" SS/ELB.



FLORIDA MARINE TANKS, INC.
16480 N.W. 48 AVE. HIALEAH, FL. 33014

PEARSON YACHTS 23 GALLON STBD FUEL TANK FOR DIRK AARDSMA

DRAWN BY: **D. MONTERREY** SCALE: 1" = 1'
NET GAL: 23.0 DATE: 03-26-07 MATERIAL: .125" AL.
CERT. DATE: APP'D: **FMT-23S-PS**