

These parts diagrams are used by our staff in determining the proper parts for your equipment. Please note that the information is current as of the creation date of this document. As time passes prices increase and part numbers may be replaced by other assemblies. For the most current information please visit our website which is able to display some (not all) additional information regarding the parts that you may need. If there is ever any question of what your looking at do not hesitate to contact us.

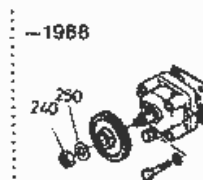
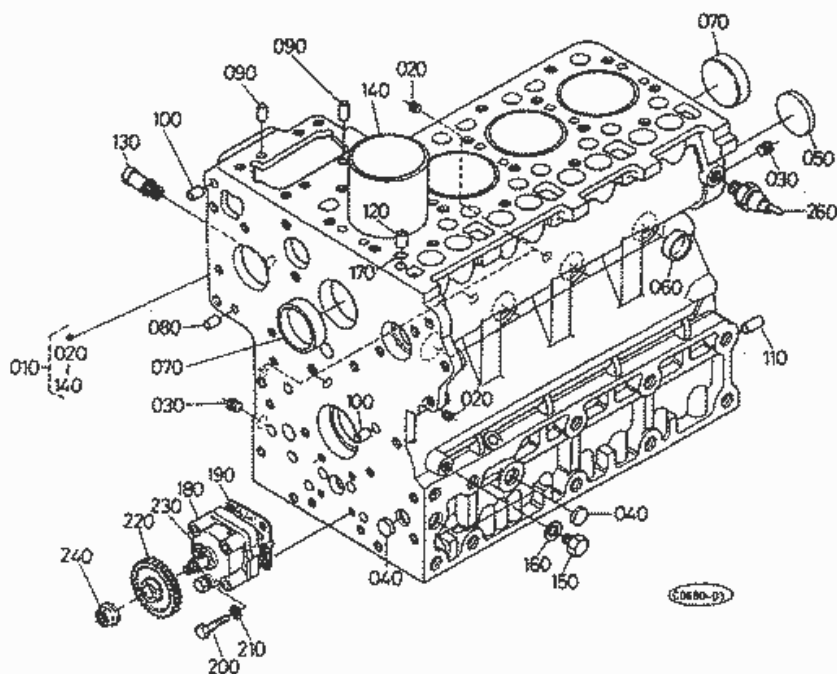
This is an active PDF document. The listed part information links to our website. You can click and visit for the most current information, pictures, and ordering options. We are a full service dealership and pride ourselves in giving world class support to all customers. If we can assist you in anyway, please call 877-260-3528 and our staff will help guide you.

Thanks for your inquiry.

The parts staff @ Messicks.com



Kubota R400B ENGINE 001000 CRANK CASE

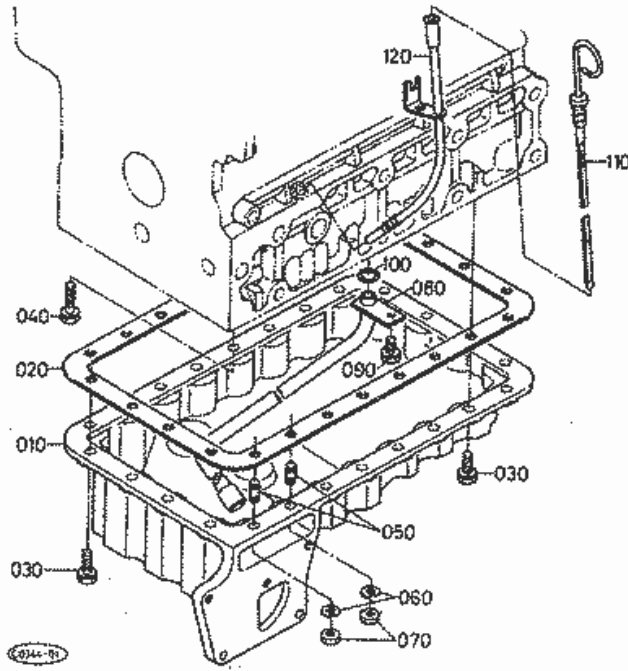


---1988

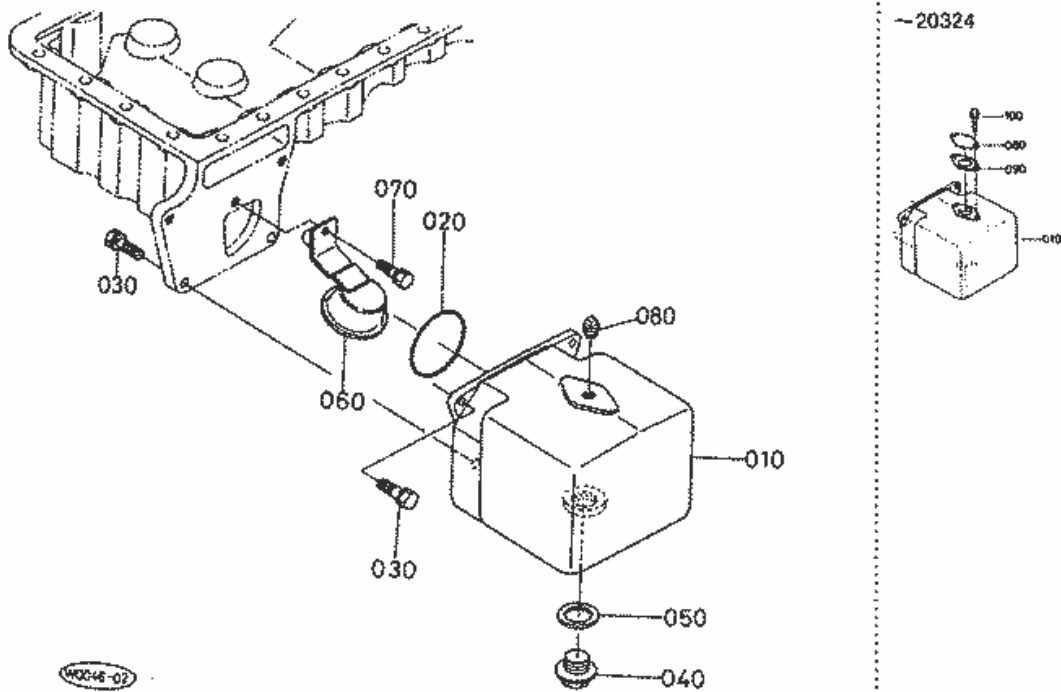
Part Number	Position	Description	Notes	Stock	Picture?	Cart
15834-01010	010	COMP.CRANKCASE		0		Add To Cart
15521-96020	020	PLUG		5	Yes	Add To Cart
15521-96030	030	PLUG		3		Add To Cart
06311-75018	040	PLUG		8		Add To Cart
06311-75045	050	PLUG,EXPANSION		5	Yes	Add To Cart
15221-03380	060	CAP,SEALING		0	Yes	Add To Cart
15221-03390	070	CAP,SEALING		2		Add To Cart
05012-00408	080	PIN,STRAIGHT		4	Yes	Add To Cart
05012-00609	090	PIN,STRAIGHT		0		Add To Cart
05012-00612	100	PIN, STRAIGHT		2	Yes	Add To Cart
05012-01018	110	PIN,STRAIGHT		6	Yes	Add To Cart
15221-33650	120	PIN,PIPE		0		Add To Cart
15321-73340	130	PIPE,WATER RETURN		1		Add To Cart
15521-02310	140	LINER CYLINDER		0		Add To Cart
15221-33610	150	PLUG		0		Add To Cart
15021-33660	160	GASKET		13		Add To Cart
15221-33700	170	O RING		3		Add To Cart
15471-35010	180	ASSY PUMP OIL		0		Add To Cart
15221-35150	190	GASKET OIL PUMP		0		Add To Cart
01053-50650	200	HEX.BOLT		7		Add To Cart
04512-50060	210	WASHER,SPRING LOCK		0		Add To Cart
19202-35660	220	GEAR,OIL PUMP DRIVE		0		Add To Cart
05712-00410	230	KEY,FEATHER		0	Yes	Add To Cart
15221-35680	240	NUT	S/N Break. Please Call	0		Add To Cart
15221-35682	240	NUT	S/N Break. Please Call CHANGE	0		Add To Cart
15221-35670	250	WASHER	S/N Break. Please Call DISCONTINUANCE	0		Add To Cart
15221-39013	260	SWITCH OIL		3	Yes	Add To Cart

Parts Hotline : 877-260-3528

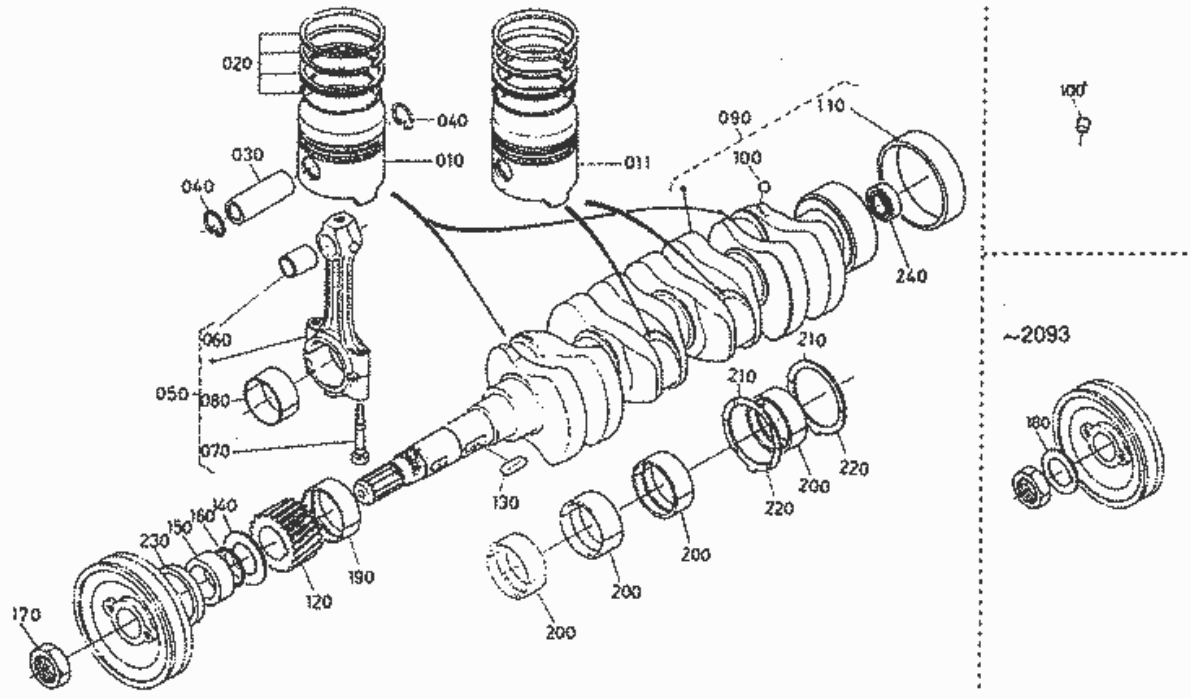
As of 08-09-2015



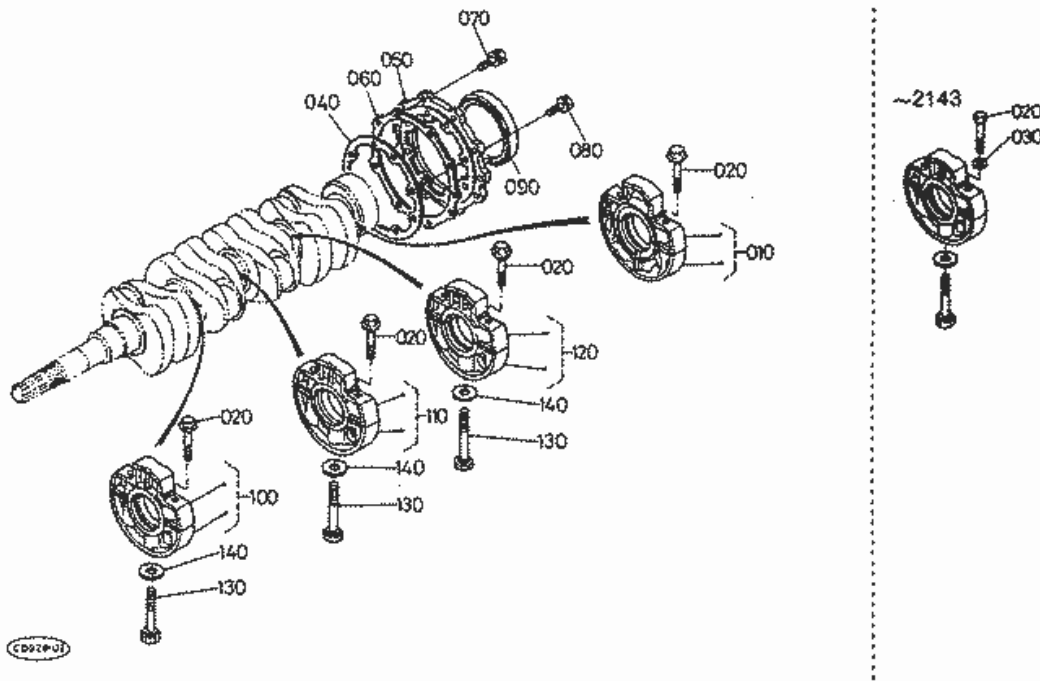
Part Number	Position	Description	Notes	Stock	Picture?	Cart
15833-01610	010	OIL PAN		0		Add To Cart
15401-01620	020	GASKET OIL PAN		0		Add To Cart
01133-51028	030	BOLT,SEMS		6		Add To Cart
01133-51045	040	BOLT,SEMS		0	Yes	Add To Cart
01517-51022	050	STUD		4		Add To Cart
04512-50100	060	WASHER,SPRING LOCK		0		Add To Cart
02176-50100	070	HEX.NUT		6	Yes	Add To Cart
15833-32120	080	PIPE		0		Add To Cart
01123-50816	090	BOLT,SEMS		6		Add To Cart
04811-00160	100	O RING		0	Yes	Add To Cart
15418-36410	110	GAUGE OIL		0		Add To Cart
15418-36420	120	GUIDE OIL GAUGE	S/N Break. Please Call	0		Add To Cart
15418-36422	120	GUIDE OIL GAUGE	S/N Break. Please Call	0		Add To Cart



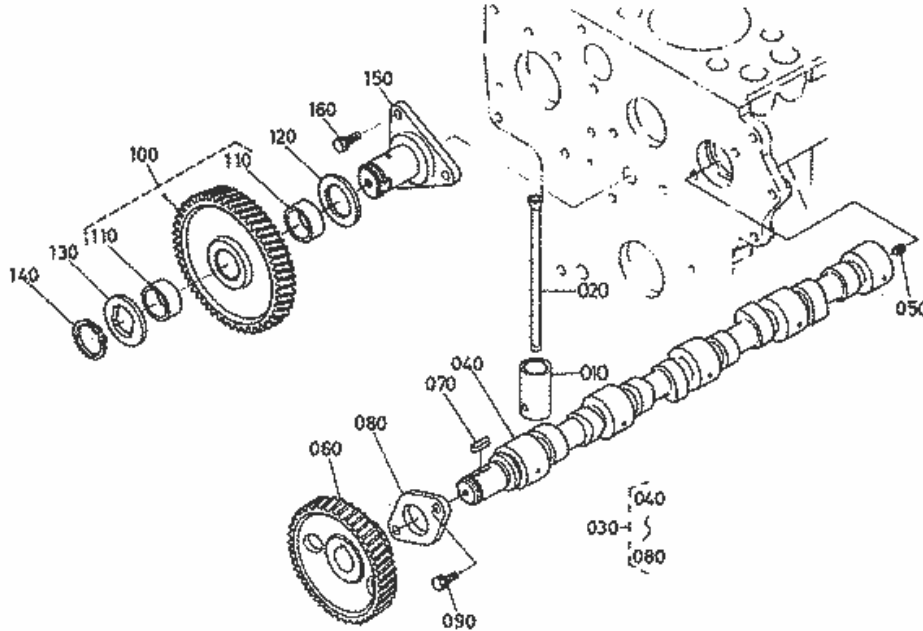
Part Number	Position	Description	Notes	Stock	Picture?	Cart
68811-42824	010	CAP OIL PAN	S/N Break. Please Call	0		Add To Cart
68811-42826	010	CAP OIL PAN	S/N Break. Please Call CHANGE	0		Add To Cart
04811-10850	020	O RING		6	Yes	Add To Cart
01123-50820	030	BOLT,SEMS		31	Yes	Add To Cart
06331-45020	040	PLUG		0		Add To Cart
04724-00200	050	PACKING		3		Add To Cart
68811-42830	060	FILTER OIL		0		Add To Cart
01123-50816	070	BOLT,SEMS		6		Add To Cart
06312-10040	080	W-PLUG + FA	S/N Break. Please Call CHANGE	0		Add To Cart
68811-42870	080	COVER	S/N Break. Please Call	0		Add To Cart
68811-42880	090	GASKET	S/N Break. Please Call DISCONTINUANCE	0		Add To Cart
01123-50814	100	BOLT,SEMS	S/N Break. Please Call DISCONTINUANCE	16	Yes	Add To Cart



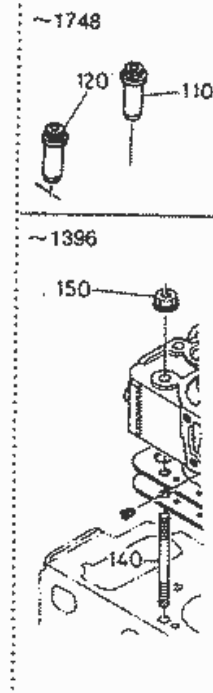
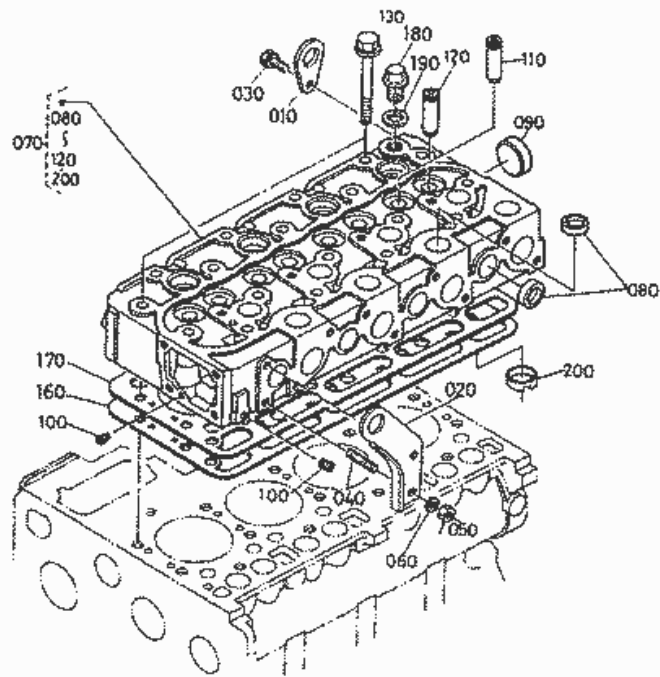
Part Number	Position	Description	Notes	Stock	Picture?	Cart
19274-21110	010	PISTON		0		Add To Cart
19274-21910	010	PISTON 05	FOR SERVICE	0		Add To Cart
19439-21110	011	PISTON		0		Add To Cart
19439-21910	011	PISTON 05	FOR SERVICE	0		Add To Cart
19274-21050	020	ASSY PISTON RING		0		Add To Cart
19274-21092	020	ASSY PISTON RING 05	FOR SERVICE	0		Add To Cart
15521-21310	030	PIN PISTON		6		Add To Cart
15221-21330	040	CIR-CLIP PISTON PIN		8	Yes	Add To Cart
15471-22012	050	ASSY CONNECTING ROD		0		Add To Cart
15221-21980	060	BUSH PISTON PIN		0		Add To Cart
15521-22140	070	BOLT CONNECTING ROD		0		Add To Cart
15471-22310	080	METAL CRANKPIN		4	Yes	Add To Cart
15471-22970	080	METAL CRANKPIN 02	FOR SERVICE	0		Add To Cart
15471-22980	080	METAL CRANKPIN 04	FOR SERVICE	0		Add To Cart
15476-23010	090	COMP.CRANKSHAFT		0		Add To Cart
07715-00401	100	BALL 1/4	S/N Break. Please Call	3	Yes	Add To Cart
07715-03209	100	BALL	S/N Break. Please Call CHANGE CHANGEMENT	0		Add To Cart
15221-33630	100	PLUG PIN	S/N Break. Please Call	0	Yes	Add To Cart
19202-23280	110	BUSH,CRANKSHAFT		-1		Add To Cart
15471-24110	120	GEAR CRANKSHAFT		0		Add To Cart
05712-00720	130	KEY, FEATHER		7	Yes	Add To Cart
15471-23310	140	SLINGER OIL	S/N Break. Please Call	0		Add To Cart
15471-23312	140	OIL SLINGER	S/N Break. Please Call	0		Add To Cart
19202-23250	150	COLLAR,CRANKSHAFT		1	Yes	Add To Cart
04811-10300	160	O RING		46	Yes	Add To Cart
15221-23360	170	NUT,CRANKSHAFT		0	Yes	Add To Cart
15221-23380	180	WASHER CRANKSHAFT	S/N Break. Please Call DISCONTINUANCE	0		Add To Cart
15221-23470	190	METAL CRANKSHAFT	S/N Break. Please Call	0		Add To Cart
17331-23470	190	METAL CRANKSHAFT	S/N Break. Please Call CHANGE	0		Add To Cart
15221-23480	200	METAL CRANKSHAFT	S/N Break. Please Call	0		Add To Cart
17331-23480	200	METAL CRANKSHAFT	S/N Break. Please Call CHANGE	0		Add To Cart
15521-23530	210	METAL,SIDE		0	Yes	Add To Cart
19202-23540	220	METAL,SIDE		0		Add To Cart
19202-23970	220	METAL,SIDE	FOR SERVICE	0		Add To Cart
19202-23980	220	METAL,SIDE	FOR SERVICE	0		Add To Cart
09550-00001	230	SEAL OIL		3	Yes	Add To Cart
08121-06002	240	BEARING,BALL		6	Yes	Add To Cart



Part Number	Position	Description	Notes	Stock	Picture?	Cart
19202-04040	010	ASSY CASE MAIN BRG		0		Add To Cart
15521-04540	020	BOLT BEARING CASE	S/N Break. Please Call	0		Add To Cart
15601-04540	020	BOLT BEARING CASE	S/N Break. Please Call	0		Add To Cart
15521-94010	030	WASHER PLAIN	S/N Break. Please Call DISCONTINUANCE	0		Add To Cart
15221-04360	040	GASKET		0		Add To Cart
19202-04810	050	COVER BEARING CASE	S/N Break. Please Call	0		Add To Cart
19202-04813	050	COVER BEARING CASE	S/N Break. Please Call	0		Add To Cart
15221-04820	060	GASKET		0		Add To Cart
01123-50825	070	BOLT,SEMS		35	Yes	Add To Cart
01123-50828	080	BOLT,SEMS		19	Yes	Add To Cart
19202-04460	090	SEAL,OIL		0		Add To Cart
15521-04050	100	ASSY CASE MAIN BRG		0		Add To Cart
15521-04060	110	ASSY CASE MAIN BRG		0		Add To Cart
15411-04070	120	ASSY CASE MAIN BRG		0		Add To Cart
15291-04560	130	BOLT		0		Add To Cart
15521-94020	140	WASHER PLAIN		0		Add To Cart



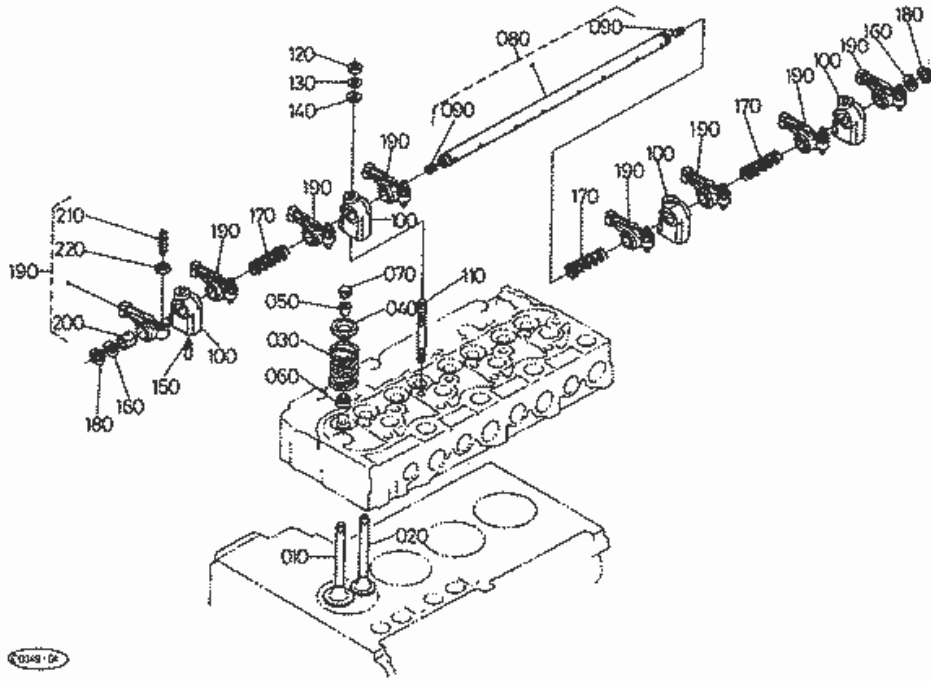
Part Number	Position	Description	Notes	Stock	Picture?	Cart
15221-15550	010	TAPPET		0		Add To Cart
15221-15110	020	PUSHROD		4		Add To Cart
15471-16010	030	ASSY CAMSHAFT		0		Add To Cart
15471-16150	040	CAMSHAFT		0		Add To Cart
15521-93610	050	SCREW,SET		0		Add To Cart
15521-16510	060	GEAR CAMSHAFT		0		Add To Cart
05712-00720	070	KEY, FEATHER		7	Yes	Add To Cart
15221-16270	080	STOPPER,CAMSHAFT		0		Add To Cart
01123-50818	090	BOLT,SEMS		2	Yes	Add To Cart
15221-24010	100	COMP.GEAR,IDLE		0		Add To Cart
15221-24980	110	BUSH,IDLE GEAR		0		Add To Cart
15521-24360	120	COLLAR		0		Add To Cart
15521-24370	130	COLLAR		0		Add To Cart
15221-24320	140	CIR CLIP,IDLE GEAR		0		Add To Cart
15221-24250	150	SHAFT IDLE GEAR		0		Add To Cart
01123-50818	160	BOLT,SEMS		2	Yes	Add To Cart



Part Number	Position	Description	Notes	Stock	Picture?	Cart
15221-01750	010	HOOK,ENGINE		0		Add To Cart
15471-01740	020	HOOK,ENGINE		0		Add To Cart
01123-50816	030	BOLT,SEMS		6		Add To Cart
15471-91530	040	STUD		0	Yes	Add To Cart
02156-50080	050	HEX.NUT		30	Yes	Add To Cart
04512-50080	060	WASHER,SPRING LOCK		0		Add To Cart
15476-03040	070	COMP.CYLINDER HEAD	S/N Break. Please Call	0		Add To Cart
15476-03040	070	COMP.CYLINDER HEAD	S/N Break. Please Call CHANGE	0		Add To Cart
15221-03370	080	CAP,SEALING		0		Add To Cart
15221-03490	090	CAP,SEALING		3	Yes	Add To Cart
15261-96010	100	PLUG		0		Add To Cart
15221-13580	110	GUIDE VALVE	S/N Break. Please Call	0		Add To Cart
15511-13580	110	GUIDE INLET VALVE		0		Add To Cart
15521-13580	110	GUIDE INLET VALVE	S/N Break. Please Call CHANGE	0		Add To Cart
15601-13560	120	GUIDE EXHAUST VALVE	S/N Break. Please Call	0		Add To Cart
17311-13560	120	GUIDE EXHAUST VALVE		0		Add To Cart
17321-13560	120	GUIDE,EXHAUST VALVE	S/N Break. Please Call CHANGE	0		Add To Cart
19202-03450	130	BOLT CYLINDER HEAD	S/N Break. Please Call	10		Add To Cart
19202-03450	130	BOLT CYLINDER HEAD	S/N Break. Please Call CHANGE OF QUANTITY	10		Add To Cart
19202-03410	140	STUD CYLINDER HEAD	S/N Break. Please Call DISCONTINUANCE	3		Add To Cart
19202-03510	150	NUT CYLINDER HEAD	S/N Break. Please Call DISCONTINUANCE ABOLITION	0		Add To Cart
15476-03313	160	GASKET CYLINDER HEAD	S/N Break. Please Call	0		Add To Cart
15808-03310	160	GASKET CYLINDER HEAD	S/N Break. Please Call CHANGE CHANGEMENT	0		Add To Cart
15476-03320	170	SHIM CYL.HEAD GASKET		0		Add To Cart
15000-36080	180	PLUG,CYLINDER HEAD		0		Add To Cart
04717-01600	190	SPRING SEAT RUBBER		0	Yes	Add To Cart
15521-03140	200	COMBUSTION CHAMBER		0		Add To Cart

Parts Hotline : 877-260-3528

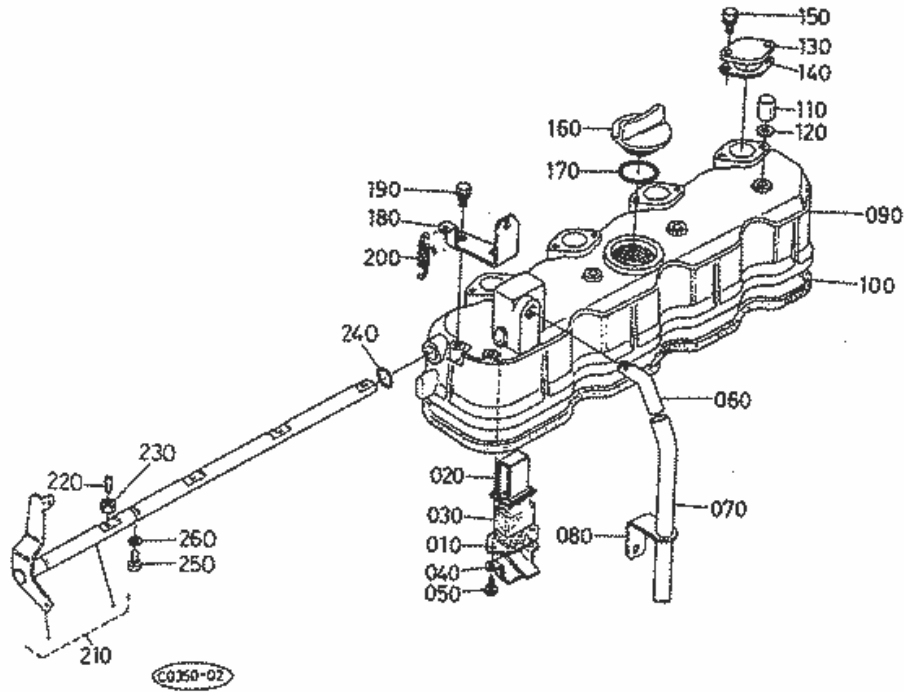
As of 08-09-2015



Part Number	Position	Description	Notes	Stock	Picture?	Cart
15221-13110	010	VALVE INLET		2	Yes	Add To Cart
15221-13120	020	VALVE EXHAUST		3	Yes	Add To Cart
15221-13240	030	SPRING,VALVE		0	Yes	Add To Cart
15221-13330	040	RETAINER,VALVE SP		0		Add To Cart
15221-13360	050	COLLET VALVE SPRING		0		Add To Cart
15221-13150	060	SEAL VALVE STEM		0		Add To Cart
15221-13280	070	CAP,VALVE		3		Add To Cart
15401-14050	080	ASSY SHAFT R-ARM		0		Add To Cart
03410-00808	090	SCREW SET		0		Add To Cart
15221-14350	100	BRACKET,ROCKER ARM		0		Add To Cart
15521-91500	110	STUD		0		Add To Cart
02156-50080	120	HEX.NUT		30	Yes	Add To Cart
04512-50080	130	WASHER,SPRING LOCK		0		Add To Cart
04012-50080	140	WASHER,PLAIN		7	Yes	Add To Cart
15221-14420	150	SCREW SET		0		Add To Cart
15221-14430	160	WASHER,R-ARM.SHAFT		7	Yes	Add To Cart
15221-14310	170	SPRING,ROCKER ARM		2		Add To Cart
04612-00140	180	CIR-CLIP		1	Yes	Add To Cart
15601-14030	190	ASSY ROCKER ARM		0		Add To Cart
15221-14180	200	BUSH ROCKER ARM	S/N Break. Please Call DISCONTINUANCE	0		Add To Cart
15521-14230	210	SCREW,ADJUSTING		0		Add To Cart
15021-14240	220	NUT		0		Add To Cart

Parts Hotline : 877-260-3528

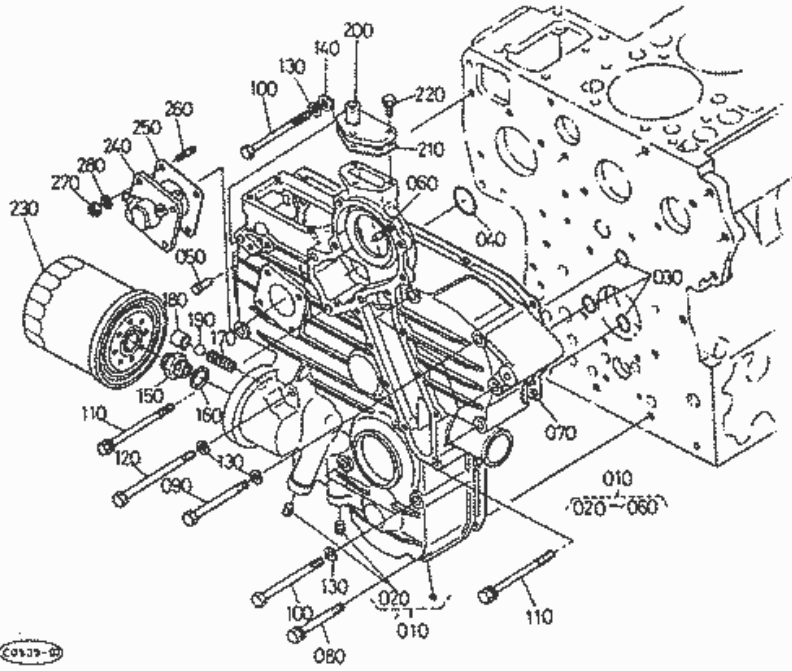
As of 08-09-2015



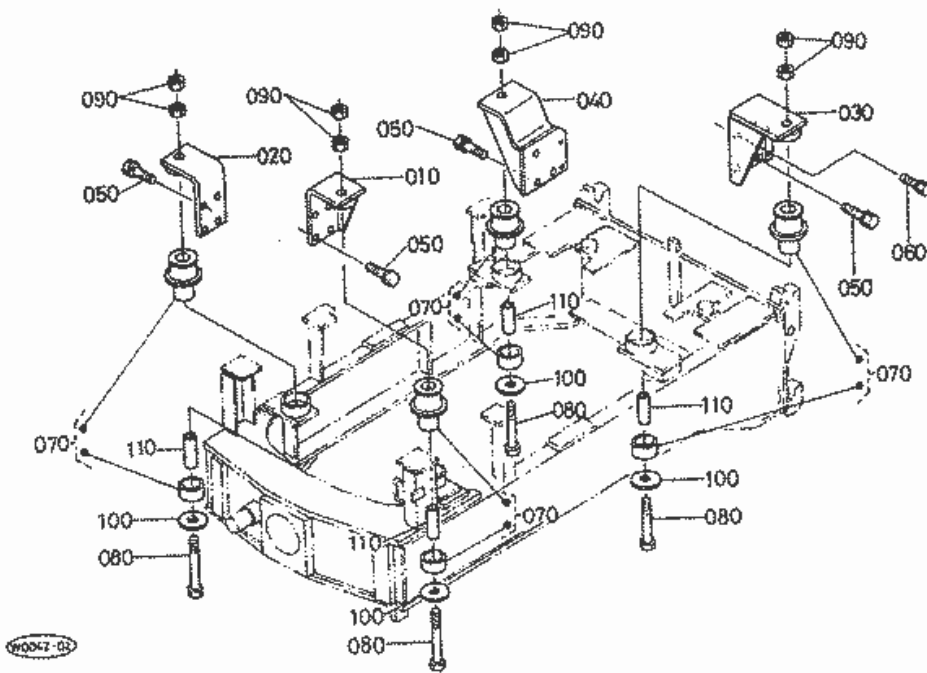
Part Number	Position	Description	Notes	Stock	Picture?	Cart
15521-05140	010	PLATE,B/THER ELEMENT		0		Add To Cart
15521-05150	020	PLATE,B/THER ELEMENT		0		Add To Cart
15521-05670	030	ELEMENT,BREATHER		3		Add To Cart
15521-05370	040	OIL SHIELD,BREATHER		0		Add To Cart
15521-93310	050	SCREW WITH WASHER		0		Add To Cart
15521-05550	060	JOINT,BREATHER PIPE		0		Add To Cart
15521-05510	070	PIPE BREATHER		1		Add To Cart
15401-05580	080	CLAMP PIPE		0		Add To Cart
15471-14510	090	COVER CYL.HEAD		0		Add To Cart
15471-14520	100	GASKET HEAD COVER		1		Add To Cart
15451-92330	110	NUT		0		Add To Cart
15021-33660	120	GASKET		13		Add To Cart
15221-66630	130	COVER DECOMP.OPENING		0		Add To Cart
15221-66640	140	GASKET DECOMP.OPENIG		0		Add To Cart
01023-50614	150	BOLT,SEMS		2	Yes	Add To Cart
15221-33140	160	PLUG OIL FILLER		0		Add To Cart
04811-50300	170	O RING		0	Yes	Add To Cart
15221-66190	180	HOLDER DECOMP.WIRE		0		Add To Cart
01023-50614	190	BOLT,SEMS		2	Yes	Add To Cart
15221-66280	200	SPRING DECOMP.WIRE		1		Add To Cart
15471-66040	210	COMP shaft DECOMP		0		Add To Cart
15221-66350	220	BOLT DECOMPRESS		0		Add To Cart
15221-66360	230	NUT DECOMPRESS		0		Add To Cart
04811-06100	240	O RING		3	Yes	Add To Cart
15221-66410	250	BOLT		0		Add To Cart
04512-50060	260	WASHER,SPRING LOCK		0		Add To Cart

Parts Hotline : 877-260-3528

As of 08-09-2015



Part Number	Position	Description	Notes	Stock	Picture?	Cart
15521-04020	010	COMP.CASE GEAR		0		Add To Cart
15261-96020	020	PLUG		0		Add To Cart
04811-00150	030	O RING	S/N Break. Please Call	0	Yes	Add To Cart
04811-00150	030	O RING	S/N Break. Please Call CHANGE OF QUANTITY	0	Yes	Add To Cart
04811-00200	035	O RING	S/N Break. Please Call	0	Yes	Add To Cart
04811-00360	040	RING		5	Yes	Add To Cart
15221-56280	050	PIN,START SPRING		0		Add To Cart
05012-00612	060	PIN, STRAIGHT		2	Yes	Add To Cart
15521-04133	070	GASKET GEAR CASE		0		Add To Cart
01123-50860	080	BOLT,SEMS		4	Yes	Add To Cart
01153-50870	090	HEX.BOLT		7		Add To Cart
01153-50880	100	HEX.BOLT		14		Add To Cart
15521-91020	110	BOLT	S/N Break. Please Call	0		Add To Cart
17367-91020	110	BOLT	S/N Break. Please Call	0		Add To Cart
01153-50895	120	BOLT		0		Add To Cart
04512-50080	130	WASHER,SPRING LOCK	S/N Break. Please Call	0		Add To Cart
04512-50080	130	WASHER,SPRING LOCK	S/N Break. Please Call CHANGE OF QUANTITY	0		Add To Cart
04012-50080	140	WASHER,PLAIN		7	Yes	Add To Cart
15521-32290	150	JOINT PIPE		0		Add To Cart
04011-50180	160	WASHER,PLAIN		12		Add To Cart
15241-36950	170	SPRING		0		Add To Cart
15521-36930	180	SEAT,VALVE		0		Add To Cart
07715-03213	190	BALL		0		Add To Cart
15521-73320	200	FLANGE,WATER RETURN		0		Add To Cart
15521-73330	210	GASKET		0		Add To Cart
01023-50620	220	BOLT,SEMS		9	Yes	Add To Cart
15521-32430	230	CARTRIDGE OIL FILTER	S/N Break. Please Call	0		Add To Cart
17321-32432	230	CARTRIDGE OIL FILTER	S/N Break. Please Call	0		Add To Cart
HH164-32430	230	ENGINE OIL FILTER		94	Yes	Add To Cart
38240-34660	240	ASSY GEAR CASE,H/M		0		Add To Cart
15221-88130	250	GASKET		0		Add To Cart
15221-88210	260	STUD		1		Add To Cart
02056-50060	270	HEX.NUT		32	Yes	Add To Cart
04512-50060	280	WASHER,SPRING LOCK		0		Add To Cart



Part Number	Position	Description	Notes	Stock	Picture?	Cart
68811-42110	010	BRACKET ENGINE LH		0		Add To Cart
68811-42120	020	BRACKET ENGINE RH		0		Add To Cart
68811-42130	030	BRACKET ENGINE LH		0		Add To Cart
68811-42140	040	BRACKET ENGINE RH		0		Add To Cart
01133-51225	050	BOLT,SEMS		11		Add To Cart
01133-51020	060	BOLT,SEMS		10	Yes	Add To Cart
68271-42160	070	ASSY CUSHION		0		Add To Cart
01173-51602	080	BOLT		0		Add To Cart
02074-50160	090	NUT		3		Add To Cart
68271-42170	100	WASHER		0		Add To Cart
68271-42190	110	COLLAR		0		Add To Cart

Parts Hotline : 877-260-3528

As of 08-09-2015

These parts diagrams are used by our staff in determining the proper parts for your equipment. Please note that the information is current as of the creation date of this document. As time passes prices increase and part numbers may be replaced by other assemblies. For the most current information please visit our website which is able to display some (not all) additional information regarding the parts that you may need. If there is ever any question of what your looking at do not hesitate to contact us.

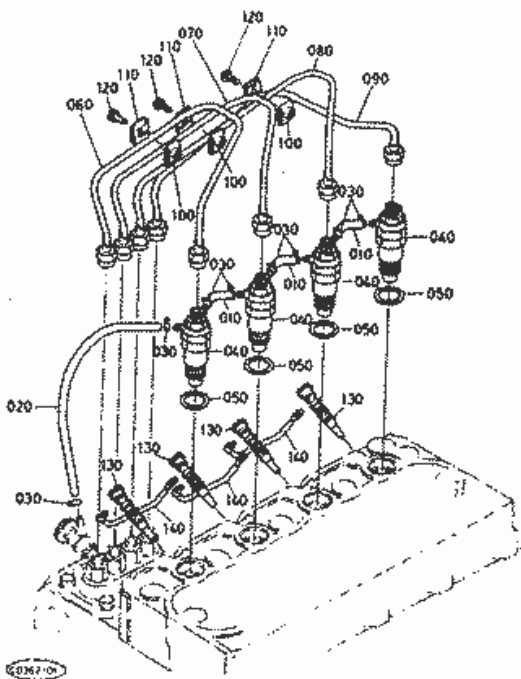
This is an active PDF document. The listed part information links to our website. You can click and visit for the most current information, pictures, and ordering options. We are a full service dealership and pride ourselves in giving world class support to all customers. If we can assist you in anyway, please call 877-260-3528 and our staff will help guide you.

Thanks for your inquiry.

The parts staff @ Messicks.com

Kubota R400B FUEL SYSTEM

015000 NOZZLE HOLDER AND GLOW PLUG



~1448

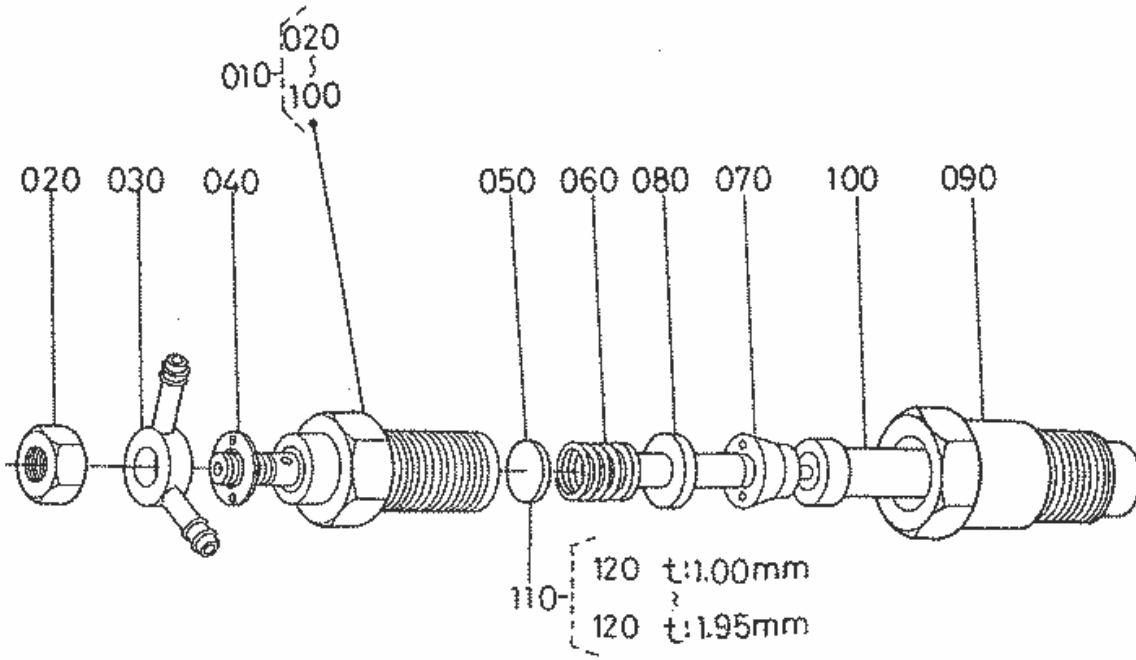


Part Number	Position	Description	Notes	Stock	Picture?	Cart
15221-42510	010	PIPE FUEL OVER FLOW		5	Yes	Add To Cart
15401-42520	020	PIPE FUEL OVER FLOW	S/N Break. Please Call	1	Yes	Add To Cart
17331-42500	020	ASSY PIPE,OVER FLOW	S/N Break. Please Call	0		Add To Cart
10244-42320	030	CLIP PIPE		19	Yes	Add To Cart
15271-53020	040	ASSY HOLDER NOZZLE 2		0		Add To Cart
17011-53620	050	GASKET		34	Yes	Add To Cart
15469-53710	060	PIPE INJECTION		0		Add To Cart
15469-53720	070	PIPE INJECTION		0		Add To Cart
15469-53730	080	PIPE INJECTION		0		Add To Cart
15469-53740	090	PIPE INJECTION		0		Add To Cart
15121-53850	100	CLAMP PIPE 1	S/N Break. Please Call	0		Add To Cart
15841-53850	100	CLAMP,PIPE	S/N Break. Please Call CHANGE CHANGEMENT	2	Yes	Add To Cart
15121-53860	110	CLAMP PIPE 2	S/N Break. Please Call	0		Add To Cart
15841-53860	110	CLAMP,PIPE	S/N Break. Please Call CHANGE CHANGEMENT	2	Yes	Add To Cart
03024-50520	120	SCREW,SEMS(PAN HEAD)		10	Yes	Add To Cart
15521-65510	130	PLUG GLOW		0		Add To Cart
15401-65560	140	CORD GLOW PLUG		1	Yes	Add To Cart

Parts Hotline : 877-260-3528

As of 08-09-2015

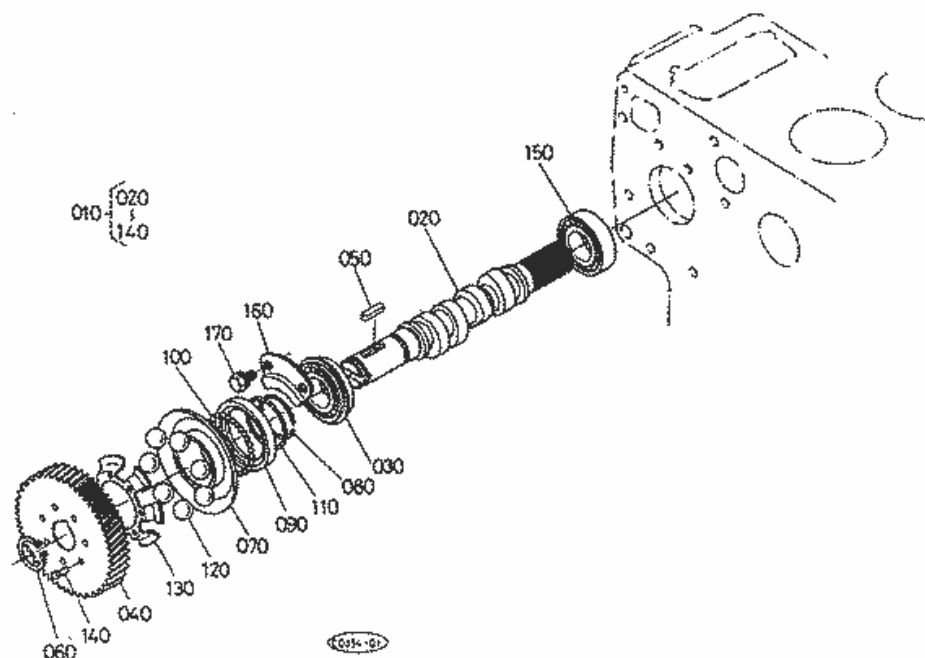
016000 NOZZLE HOLDER (SECTION PARTS)



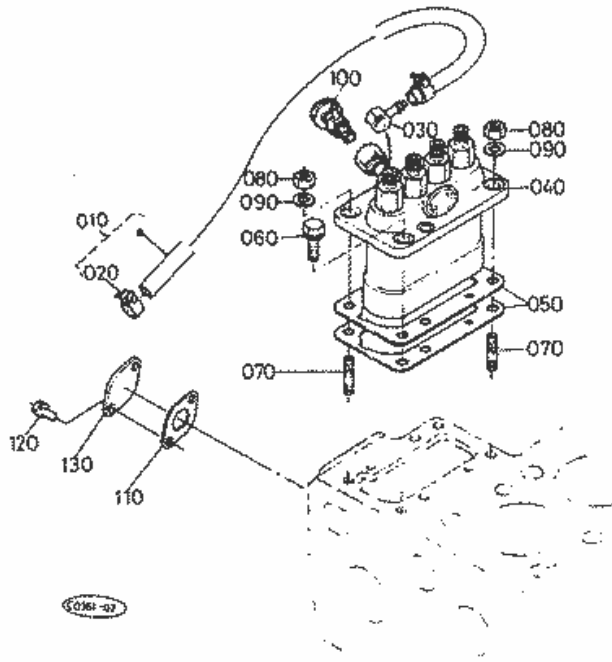
Part Number	Position	Description	Notes	Stock	Picture?	Cart
15271-53020	010	ASSY HOLDER NOZZLE 2		0		Add To Cart
15221-92020	020	NUT		0		Add To Cart
15221-95690	030	JOINT EYE 2		0		Add To Cart
15221-94020	040	WASHER PLAIN		0		Add To Cart
15221-53230	050	WASHER ADJUSTING		0		Add To Cart
15221-53170	060	SPRING NOZZLE		0		Add To Cart
15221-53350	070	PIECE DISTANCE		0		Add To Cart
15221-53160	080	ROD PUSH		0		Add To Cart
15221-53280	090	NUT NOZZLE		0		Add To Cart
15021-53610	100	PIECE NOZZLE		0		Add To Cart
15221-98100	110	ASSY WASHER	OPTION	0		Add To Cart
15221-98110	120	WASHER ADJUSTING	1.00mm	0		Add To Cart
15221-98120	120	WASHER ADJUSTING	1.05mm	0		Add To Cart
15221-98130	120	WASHER ADJUSTING	1.10mm	0		Add To Cart
15221-98140	120	WASHER ADJUSTING	1.15mm	0		Add To Cart
15221-98150	120	WASHER ADJUSTING	1.20mm	0		Add To Cart
15221-98160	120	WASHER ADJUSTING	1.25mm	0		Add To Cart
15221-98170	120	WASHER ADJUSTING	1.30mm	0		Add To Cart
15221-98180	120	WASHER ADJUSTING	1.35mm	0		Add To Cart
15221-98190	120	WASHER ADJUSTING	1.40mm	0		Add To Cart
15221-98200	120	WASHER ADJUSTING	1.45mm	0		Add To Cart
15221-98210	120	WASHER ADJUSTING	1.50mm	0		Add To Cart
15221-98220	120	WASHER ADJUSTING	1.55mm	0		Add To Cart
15221-98230	120	WASHER ADJUSTING	1.60mm	0		Add To Cart
15221-98240	120	WASHER ADJUSTING	1.65mm	0		Add To Cart
15221-98250	120	WASHER ADJUSTING	1.70mm	0		Add To Cart
15221-98260	120	WASHER ADJUSTING	1.75mm	0		Add To Cart
15221-98270	120	WASHER ADJUSTING	1.80mm	0		Add To Cart
15221-98280	120	WASHER ADJUSTING	1.85mm	0		Add To Cart
15221-98290	120	WASHER ADJUSTING	1.90mm	0		Add To Cart
15221-98300	120	WASHER ADJUSTING	1.95mm	0		Add To Cart

Parts Hotline : 877-260-3528

As of 08-09-2015

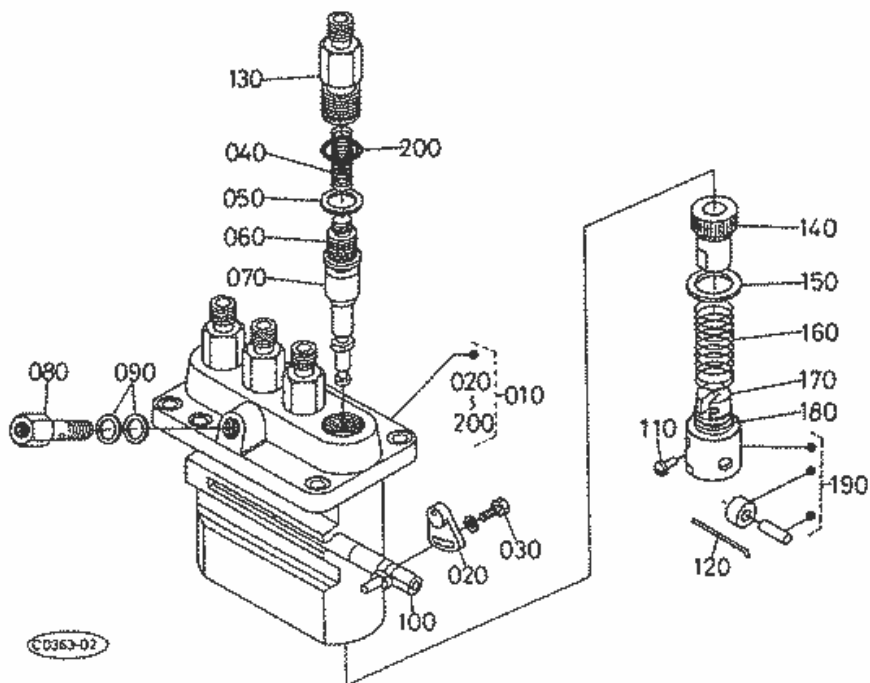


Part Number	Position	Description	Notes	Stock	Picture?	Cart
15471-16020	010	ASSY CAMSHAFT FUEL		0		Add To Cart
15471-16170	020	CAMSHAFT FUEL		0		Add To Cart
08153-06205	030	BEARING,BALL		0		Add To Cart
15401-51150	040	GEAR INJECTION PUMP		0		Add To Cart
05712-00525	050	FEATHER KEY		0		Add To Cart
04612-00240	060	CIR-CLIP,EXTERNAL		7		Add To Cart
15221-55450	070	SLEEVE GOVERNOR		0		Add To Cart
15221-55470	080	CIR-CLIP,GOV. SLEEVE		0		Add To Cart
15221-55690	090	CASE GOVERNOR BALL		0		Add To Cart
07715-03205	100	BALL		0		Add To Cart
15221-55740	110	CIR-CLIP		0		Add To Cart
07715-00805	120	BALL		0		Add To Cart
15521-55650	130	GUIDE GOVERNOR BALL		0		Add To Cart
05611-10310	140	RIVET		0		Add To Cart
08240-00001	150	BEARING,BALL		0		Add To Cart
15221-16320	160	STOPPER,FUEL C/SHAFT		0		Add To Cart
01123-50814	170	BOLT,SEMS		16	Yes	Add To Cart

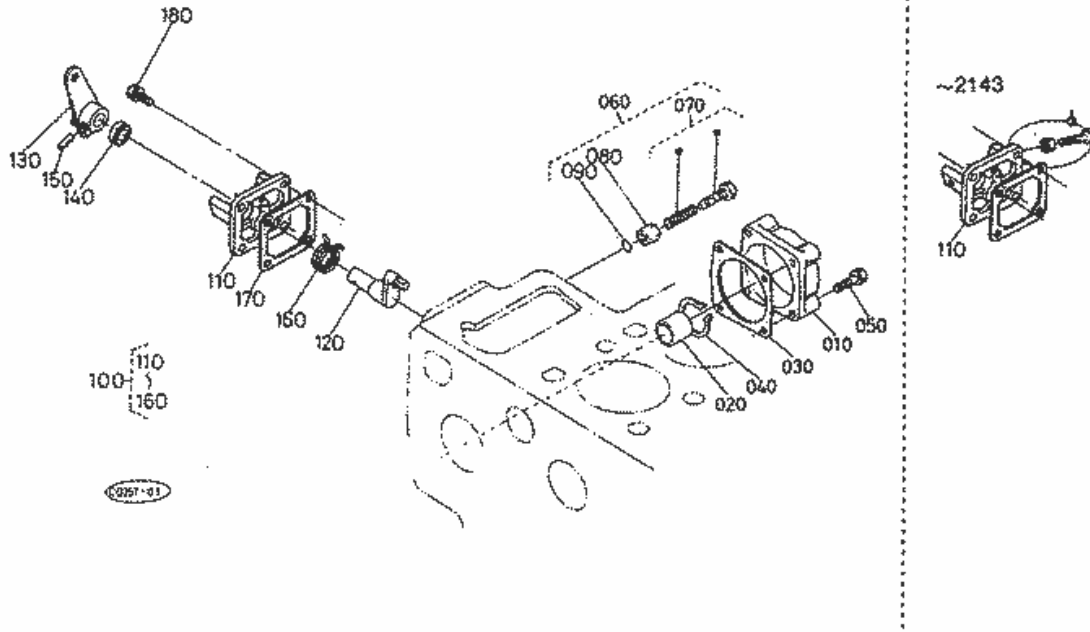


Part Number	Position	Description	Notes	Stock	Picture?	Cart
15471-42010	010	ASSY PIPE FUEL		0		Add To Cart
14301-42750	020	CLIP,PIPE		9	Yes	Add To Cart
15401-95690	030	JOINT,EYE		0		Add To Cart
15461-51010	040	ASSY PUMP INJECTION		0		Add To Cart
15461-52110	050	SHIM INJECTION PUMP	S/N Break. Please Call CHANGE CHANGEMENT	0		Add To Cart
15471-52110	050	SHIM	S/N Break. Please Call	0		Add To Cart
01123-50822	060	BOLT,SEMS		18	Yes	Add To Cart
01513-50822	070	BOLT,STUD		12	Yes	Add To Cart
02156-50080	080	HEX.NUT		30	Yes	Add To Cart
04512-50080	090	WASHER,SPRING LOCK		0		Add To Cart
14311-60504	100	ASSY COCK,JET START		4	Yes	Add To Cart
15241-52140	110	GASKET FUEL PUMP		0		Add To Cart
01023-50616	120	BOLT,SEMS		3	Yes	Add To Cart
15426-52850	130	COVER		0		Add To Cart

019000 INJECTION PUMP (SECTION PARTS)



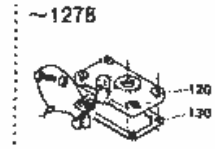
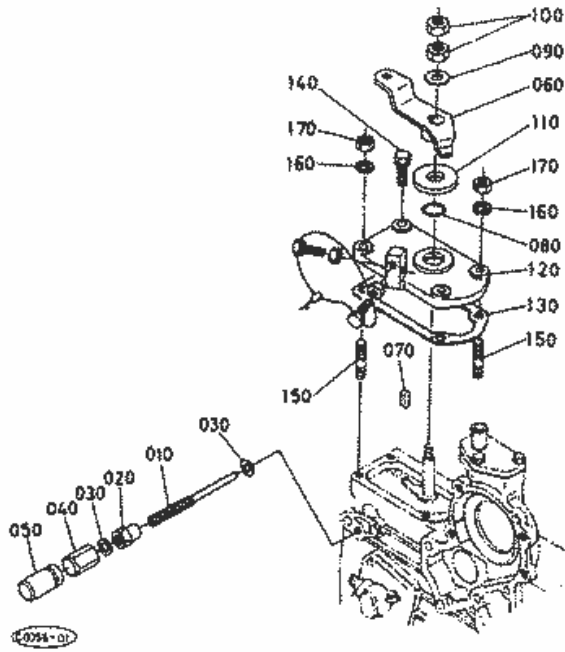
Part Number	Position	Description	Notes	Stock	Picture?	Cart
15461-51010	010	ASSY PUMP INJECTION		0		Add To Cart
15221-51390	020	PLATE ADJUSTING		0		Add To Cart
15221-91030	030	BOLT		0		Add To Cart
15221-51230	040	SPRING DELIV.VALVE		0		Add To Cart
15221-51240	050	GASKET DELIV.VALVE		0		Add To Cart
15221-51030	060	VALVE DELIVERY		0		Add To Cart
15221-51050	070	PLUNGER		0		Add To Cart
15471-51320	080	SCREW(ROOF,CANOPY)		0		Add To Cart
15401-96650	090	GASKET		0		Add To Cart
15401-51060	100	RACK CONTROL		0		Add To Cart
15221-51250	110	PIN TAPPET GUIDE		0		Add To Cart
15221-51430	120	PIN CLAMP		0		Add To Cart
15601-51220	130	HOLDER DELIV.VALVE		0		Add To Cart
15221-51380	140	SLEEVE CONTROL		0		Add To Cart
15221-51270	150	SEAT SPRING UPPER		0		Add To Cart
15221-51280	160	SPRING PLUNGER		0		Add To Cart
15221-51290	170	SEAT SPRING LOWER		0		Add To Cart
15221-51490	180	SHIM		0		Add To Cart
15221-51070	190	ASSY TAPPET		0		Add To Cart
14611-51200	200	O RING		2	Yes	Add To Cart



Part Number	Position	Description	Notes	Stock	Picture?	Cart
15469-83150	010	COVER FUEL CAMSHAFT		0		Add To Cart
19222-16190	020	COLLAR		0		Add To Cart
15469-83110	030	GASKET		0		Add To Cart
15471-95360	040	CIR CLIP,EXTERNAL		0		Add To Cart
01133-51050	050	BOLT,SEMS		2	Yes	Add To Cart
15471-54090	060	ASSY APPARATUS I/D		0		Add To Cart
15471-54100	070	ASSY BOLT ADJUSTING		0		Add To Cart
15471-92010	080	NUT		0		Add To Cart
04811-00060	090	RING		29	Yes	Add To Cart
17331-57700	100	ASSY LEVER ENG.STOP	S/N Break. Please Call	0		Add To Cart
17331-57702	100	ASSY LEVER ENG.STOP	S/N Break. Please Call	0		Add To Cart
15471-51650	110	COVER INJECTION PUMP	S/N Break. Please Call	0		Add To Cart
15471-51652	110	COVER INJECTION PUMP	S/N Break. Please Call	0		Add To Cart
17331-57740	120	SHAFT LEVER		0		Add To Cart
17331-57720	130	LEVER ENGINE STOP		0		Add To Cart
15471-57980	140	SEAL,OIL		0		Add To Cart
05411-00420	150	PIN,SPRING		2	Yes	Add To Cart
15471-57920	160	SPRING,RETURN		0		Add To Cart
15221-51660	170	GASKET PUMP COVER		0		Add To Cart
01023-50618	180	BOLT,SEMS		4	Yes	Add To Cart

Parts Hotline : 877-260-3528

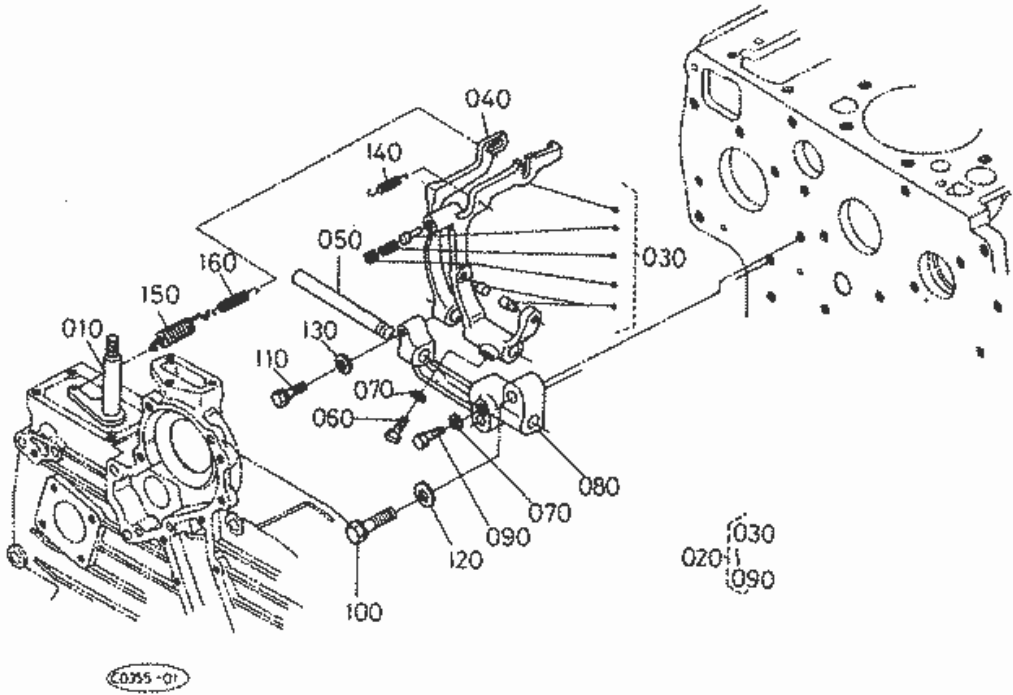
As of 08-09-2015



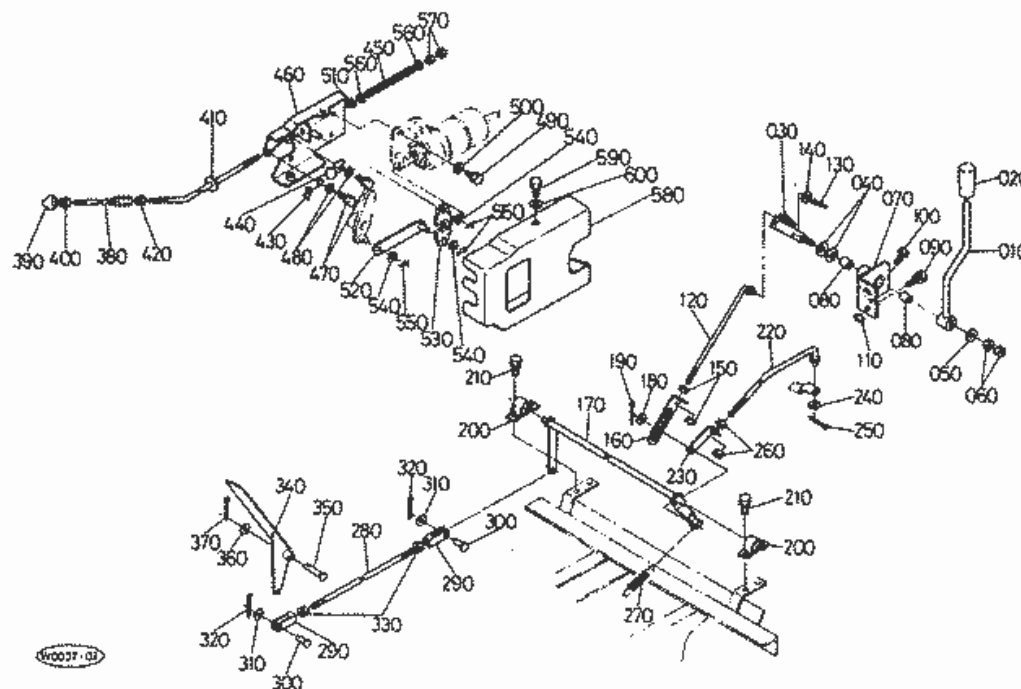
Part Number	Position	Description	Notes	Stock	Picture?	Cart
15601-54120	010	BOLT ADJUSTING		0		Add To Cart
15601-92010	020	NUT		0		Add To Cart
15601-96650	030	GASKET		11	Yes	Add To Cart
15601-54220	040	NUT CAP	S/N Break. Please Call	0		Add To Cart
15841-14620	040	NUT	S/N Break. Please Call	0		Add To Cart
16241-54420	050	CAP		0		Add To Cart
15471-57150	060	LEVER SPEED CONTROL		0		Add To Cart
05712-00408	070	KEY,FEATHER		7	Yes	Add To Cart
04811-00120	080	O RING		0	Yes	Add To Cart
04013-50080	090	WASHER,PLAIN		0		Add To Cart
02112-50080	100	HEX.NUT		10	Yes	Add To Cart
17011-57380	110	COLLAR		0		Add To Cart
15521-57110	120	PLATE SPEED CONTROL	S/N Break. Please Call	0		Add To Cart
15611-57113	120	PLATE SPEED CONTROL	S/N Break. Please Call CHANGE CHANGEMENT	0		Add To Cart
15221-57210	130	GASKET	S/N Break. Please Call	0		Add To Cart
17331-57210	130	GASKET	S/N Break. Please Call CHANGE CHANGEMENT	0		Add To Cart
01023-50620	140	BOLT,SEMS		9	Yes	Add To Cart
15221-88210	150	STUD		1		Add To Cart
04512-50060	160	WASHER,SPRING LOCK		0		Add To Cart
02056-50060	170	HEX.NUT		32	Yes	Add To Cart

Parts Hotline : 877-260-3528

As of 08-09-2015



Part Number	Position	Description	Notes	Stock	Picture?	Cart
15601-56020	010	COMP.LEVER GOVERNOR		2		Add To Cart
15834-56050	020	ASSY LEVER FORK		0		Add To Cart
15833-56040	030	COMP.LEVER FORK		0		Add To Cart
15471-56130	040	LEVER FORK		0		Add To Cart
15221-56150	050	SHAFT FORK LEVER		0		Add To Cart
15021-56240	060	BOLT LEVER SHAFT		0		Add To Cart
04512-50060	070	WASHER,SPRING LOCK		0		Add To Cart
15221-56230	080	HOLDER,FORK LEVER		0		Add To Cart
15221-66410	090	BOLT		0		Add To Cart
01123-50832	100	BOLT		2	Yes	Add To Cart
01023-50628	110	BOLT		0		Add To Cart
04012-50080	120	WASHER,PLAIN		7	Yes	Add To Cart
04012-50060	130	WASHER PLAIN		10	Yes	Add To Cart
15601-56480	140	SPRING START		0		Add To Cart
15521-56410	150	SPRING GOVERNOR		0		Add To Cart
15521-56420	160	SPRING GOVERNOR		0		Add To Cart

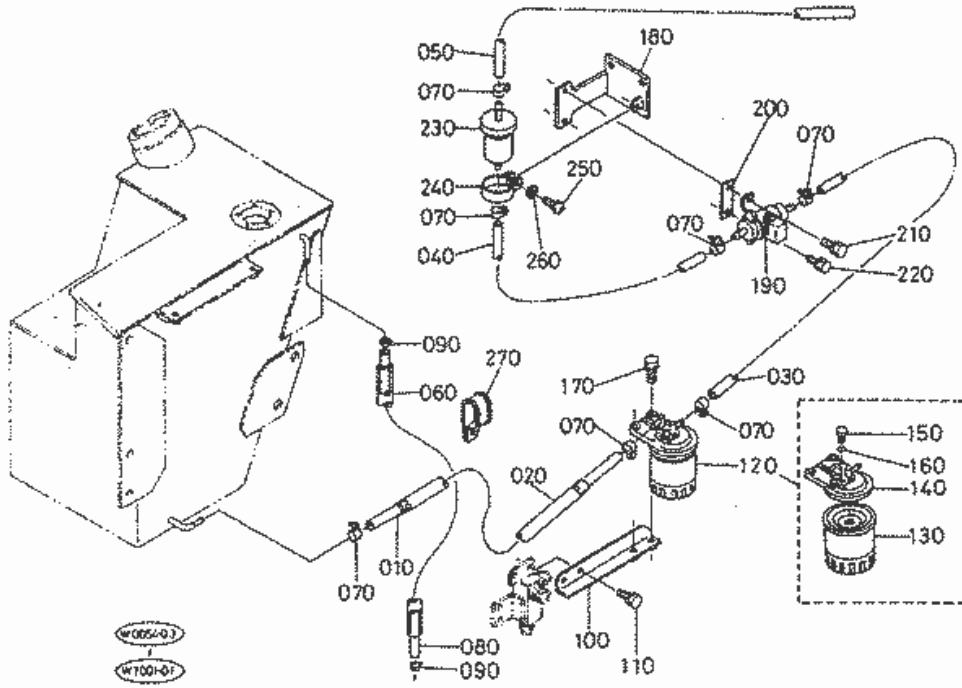


Part Number	Position	Description	Notes	Stock	Picture?	Cart
68811-35110	010	HANDLE ACCEL		0		Add To Cart
54201-23270	020	GRIP		4	Yes	Add To Cart
68817-35130	030	LEVER		0		Add To Cart
68241-35190	040	SPRING PLATE		0		Add To Cart
04013-50100	050	WASHER,PLAIN		0		Add To Cart
02118-50100	060	HEX.NUT		41	Yes	Add To Cart
68817-35170	070	BRACKET		0		Add To Cart
68021-62210	080	BUSH		0		Add To Cart
01123-50820	090	BOLT,SEMS		31	Yes	Add To Cart
01155-50835	100	HEX.BOLT		0		Add To Cart
02114-50080	110	HEX.NUT		28	Yes	Add To Cart
68817-35250	120	ROD ACCEL		0		Add To Cart
05511-51612	130	PIN,SPLIT		18	Yes	Add To Cart
04012-50060	140	WASHER PLAIN		10	Yes	Add To Cart
02014-50060	150	HEX.NUT		50	Yes	Add To Cart
68811-35150	160	LINK		0		Add To Cart
68817-35240	170	SHAFT		0		Add To Cart
04012-50060	180	WASHER PLAIN		10	Yes	Add To Cart
05511-51612	190	PIN,SPLIT		18	Yes	Add To Cart
68811-35280	200	UNIT PILLOW		0		Add To Cart
01023-50612	210	BOLT,SEMS		16	Yes	Add To Cart

Part Number	Position	Description	Notes	Stock	Picture?	Cart
68811-35230	220	ROD ACCEL		0		Add To Cart
68817-35120	230	END ROD		0		Add To Cart
04012-50060	240	WASHER PLAIN		10	Yes	Add To Cart
05511-51612	250	PIN,SPLIT		18	Yes	Add To Cart
02014-50060	260	HEX.NUT		50	Yes	Add To Cart
68001-32460	270	SPRING		0		Add To Cart
68817-35260	280	ROD ACCEL		0		Add To Cart
68811-35220	290	END FORK		0		Add To Cart
05122-50620	300	PIN		0	Yes	Add To Cart
04012-50060	310	WASHER PLAIN		10	Yes	Add To Cart
05511-51612	320	PIN,SPLIT		18	Yes	Add To Cart
02014-50060	330	HEX.NUT		50	Yes	Add To Cart
68811-35210	340	PEDAL ACCEL		0		Add To Cart
05122-50640	350	PIN JOINT		3		Add To Cart
04012-50060	360	WASHER PLAIN		10	Yes	Add To Cart
05511-51612	370	PIN,SPLIT		18	Yes	Add To Cart
68811-35312	380	ROD ENGINE STOP		0		Add To Cart
35260-17160	390	KNOB		1	Yes	Add To Cart
02014-50060	400	HEX.NUT		50	Yes	Add To Cart
68817-35510	410	ROD STOP		0		Add To Cart
02014-50060	420	HEX.NUT		50	Yes	Add To Cart
31301-17850	430	GUIDE FRONT		0		Add To Cart
38430-17180	440	SPRING		0		Add To Cart
15471-60250	450	SPRING		0		Add To Cart
15471-60110	460	SUPPORT SOLENOID		0		Add To Cart
01023-50622	470	BOLT,SEMS		-1		Add To Cart
04012-50060	480	WASHER PLAIN		10	Yes	Add To Cart
01123-50816	490	BOLT,SEMS		6		Add To Cart
04012-50080	500	WASHER,PLAIN		7	Yes	Add To Cart
66591-54580	510	RUBBER,RELEASE ROD		19	Yes	Add To Cart
17331-60150	520	LEVER STOP		0		Add To Cart
15471-60162	530	LEVER STOP		1	Yes	Add To Cart
04012-50060	540	WASHER PLAIN		10	Yes	Add To Cart
15471-94810	550	PIN SNAP		0		Add To Cart
04012-50060	560	WASHER PLAIN		10	Yes	Add To Cart
02012-50060	570	NUT		0		Add To Cart
15461-60120	580	COVER SOLENOID		0		Add To Cart
01023-50612	590	BOLT,SEMS		16	Yes	Add To Cart
04012-50060	600	WASHER PLAIN		10	Yes	Add To Cart

Parts Hotline : 877-260-3528

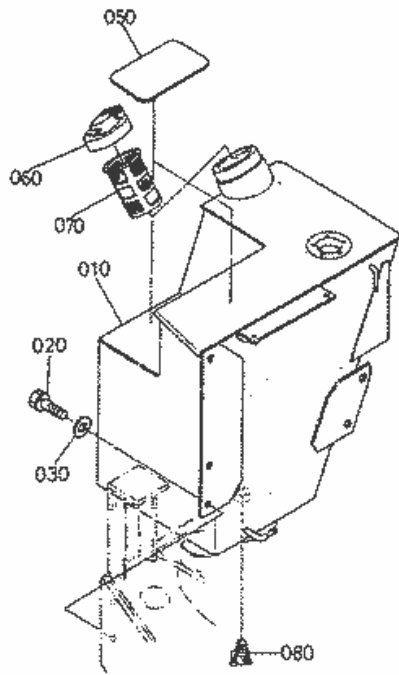
As of 08-09-2015



Part Number	Position	Description	Notes	Stock	Picture?	Cart
68811-51210	010	PIPE FUEL	S/N Break. Please Call	0		Add To Cart
68811-51213	010	PIPE FUEL	S/N Break. Please Call CHANGE	0		Add To Cart
68811-51260	020	TUBE	S/N Break. Please Call ADD	0		Add To Cart
68811-51220	030	PIPE FUEL	S/N Break. Please Call	0		Add To Cart
68811-51222	030	PIPE FUEL	S/N Break. Please Call CHANGE	0		Add To Cart
68811-51230	040	PIPE FUEL	S/N Break. Please Call	0		Add To Cart
68811-51232	040	PIPE FUEL	S/N Break. Please Call CHANGE	0		Add To Cart
68811-51240	050	PIPE FUEL		0		Add To Cart
68811-51290	060	TUBE		0		Add To Cart
14301-42750	070	CLIP,PIPE		9	Yes	Add To Cart
68811-51250	080	PIPE OVER FLOW		0		Add To Cart
10244-42320	090	CLIP PIPE		19	Yes	Add To Cart
68811-51270	100	BRACKET		0		Add To Cart
01123-50816	110	BOLT,SEMS		6		Add To Cart
15224-43010	120	ASSY FILTER FUEL		0		Add To Cart
15221-43080	130	ELEMENT FILTER		0		Add To Cart
15224-43200	140	ASSY COVER FILTER		0		Add To Cart
14102-43280	150	PLUG FILTER BREATHER		0		Add To Cart
15108-43290	160	O RING		0		Add To Cart
01123-50820	170	BOLT,SEMS		31	Yes	Add To Cart
68811-51280	180	BRACKET		0		Add To Cart
68371-51210	190	ASSY PUMP FUEL		2	Yes	Add To Cart
66591-54560	200	CUSHION		0		Add To Cart
01123-50816	210	BOLT,SEMS		6		Add To Cart
01202-50616	220	BOLT,SEMS(PHILLIPS)		6	Yes	Add To Cart
13351-43010	230	ASSY FILTER FUEL		0		Add To Cart
66021-58330	240	BAND,FILTER		0		Add To Cart
03004-50616	250	SCREW,SEMS(PAN HEAD)		7	Yes	Add To Cart
04013-50060	260	WASHER, PLAIN		2		Add To Cart
68773-51910	270	CLAMP	S/N Break. Please Call ADD	0		Add To Cart

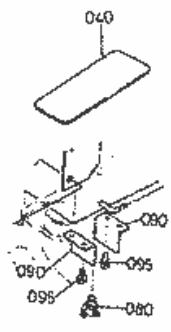
Parts Hotline : 877-260-3528

As of 08-09-2015



W8054.03
W7002.01

~20324



~20180



Part Number	Position	Description	Notes	Stock	Picture?	Cart
68817-51110	010	TANK FUEL	S/N Break. Please Call	0		Add To Cart
68817-51114	010	TANK FUEL	S/N Break. Please Call CHANGE	0		Add To Cart
01133-51220	020	BOLT,SEMS		0		Add To Cart
04013-50120	030	WASHER,PLAIN		0		Add To Cart
68811-51130	040	STOPPER	S/N Break. Please Call DISCONTINUANCE	0		Add To Cart
68811-51140	050	STOPPER 2	S/N Break. Please Call	0		Add To Cart
68811-51140	050	STOPPER 2	S/N Break. Please Call CHANGE OF QUANTITY	0		Add To Cart
68817-51120	060	CAP TANK	S/N Break. Please Call	0		Add To Cart
68817-51122	060	CAP (TANK)	S/N Break. Please Call	0		Add To Cart
14261-41350	070	FILTER		0		Add To Cart
14301-73110	080	COCK DRAIN		0		Add To Cart
68817-51150	090	COVER	S/N Break. Please Call DISCONTINUANCE	0		Add To Cart
01123-50814	095	BOLT,SEMS	S/N Break. Please Call DISCONTINUANCE	16	Yes	Add To Cart
31220-35400	100	ASSY COCK FUEL	S/N Break. Please Call DISCONTINUANCE	3		Add To Cart

Parts Hotline : 877-260-3528

As of 08-09-2015

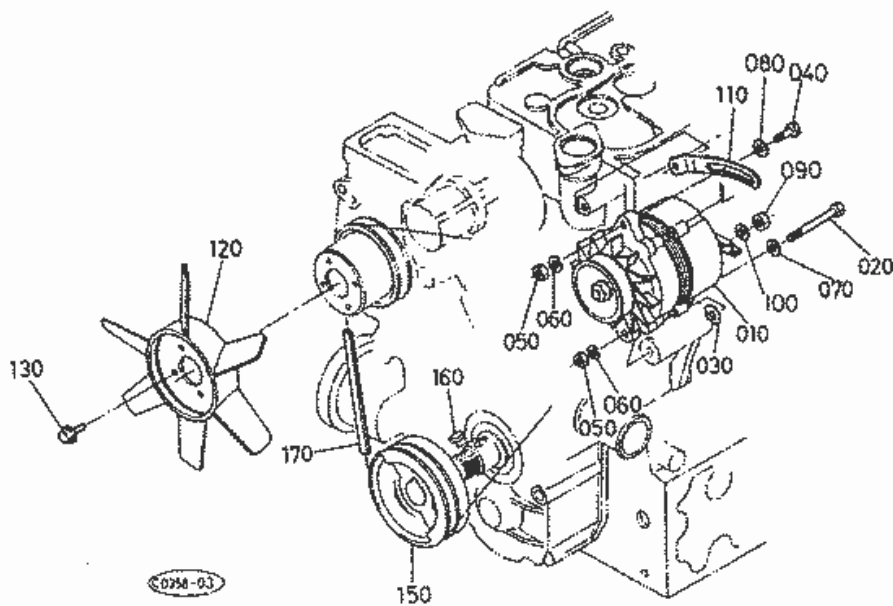
These parts diagrams are used by our staff in determining the proper parts for your equipment. Please note that the information is current as of the creation date of this document. As time passes prices increase and part numbers may be replaced by other assemblies. For the most current information please visit our website which is able to display some (not all) additional information regarding the parts that you may need. If there is ever any question of what your looking at do not hesitate to contact us.

This is an active PDF document. The listed part information links to our website. You can click and visit for the most current information, pictures, and ordering options. We are a full service dealership and pride ourselves in giving world class support to all customers. If we can assist you in anyway, please call 877-260-3528 and our staff will help guide you.

Thanks for your inquiry.

The parts staff @ Messicks.com

Kubota R400B ELECTRICAL SYSTEM 029000 DYNAMO



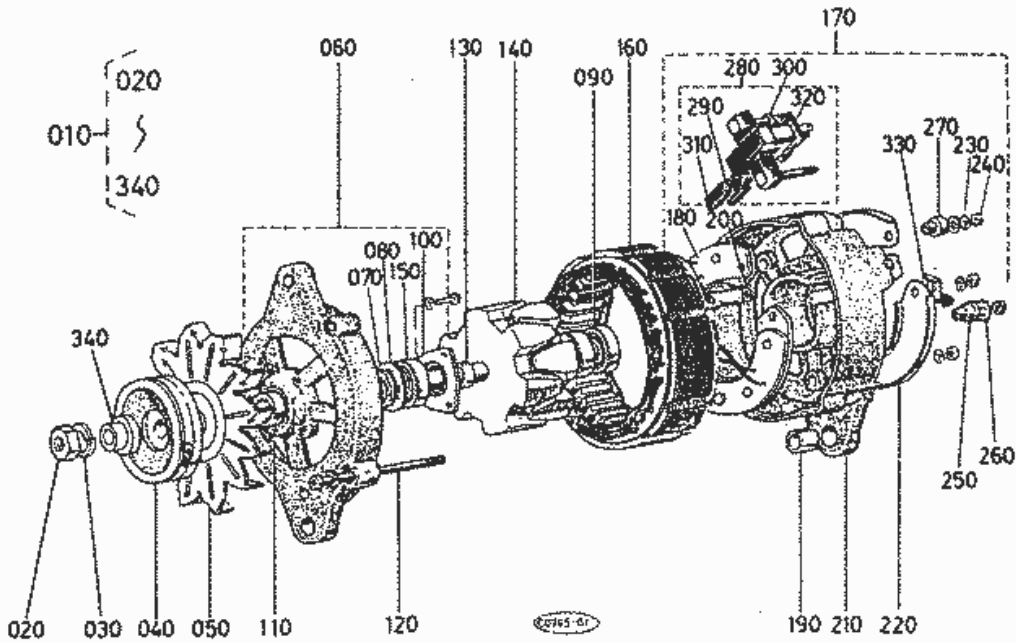
~1820



Part Number	Position	Description	Notes	Stock	Picture?	Cart
15471-64010	010	ASSY DYNAMO		0		Add To Cart
15521-91030	020	BOLT	S/N Break. Please Call	0		Add To Cart
17367-91030	020	BOLT	S/N Break. Please Call	0		Add To Cart
15521-94030	030	WASHER PLAIN		0		Add To Cart
01153-50830	040	BOLT		0		Add To Cart
02156-50080	050	HEX.NUT		30	Yes	Add To Cart
04512-50080	060	WASHER,SPRING LOCK	S/N Break. Please Call DISCONTINUANCE	0		Add To Cart
04012-50080	070	WASHER,PLAIN		7	Yes	Add To Cart
04015-50080	080	WASHER,PLAIN		17	Yes	Add To Cart
02056-50060	090	HEX.NUT		32	Yes	Add To Cart
04512-50060	100	WASHER,SPRING LOCK		0		Add To Cart
15321-64420	110	STAY,DYNAMO		0	Yes	Add To Cart
17345-74110	120	FAN		0		Add To Cart
01053-50635	130	BOLT	S/N Break. Please Call	31		Add To Cart
01754-50635	130	BOLT,FLANGE	S/N Break. Please Call CHANGE CHANGEMENT	0		Add To Cart
15321-74230	140	WASHER FAN	S/N Break. Please Call DISCONTINUANCE	0		Add To Cart
15471-74280	150	PULLEY FAN DRIVE		0		Add To Cart
05712-00720	160	KEY, FEATHER		7	Yes	Add To Cart
15471-97010	170	V BELT		6	Yes	Add To Cart

Parts Hotline : 877-260-3528

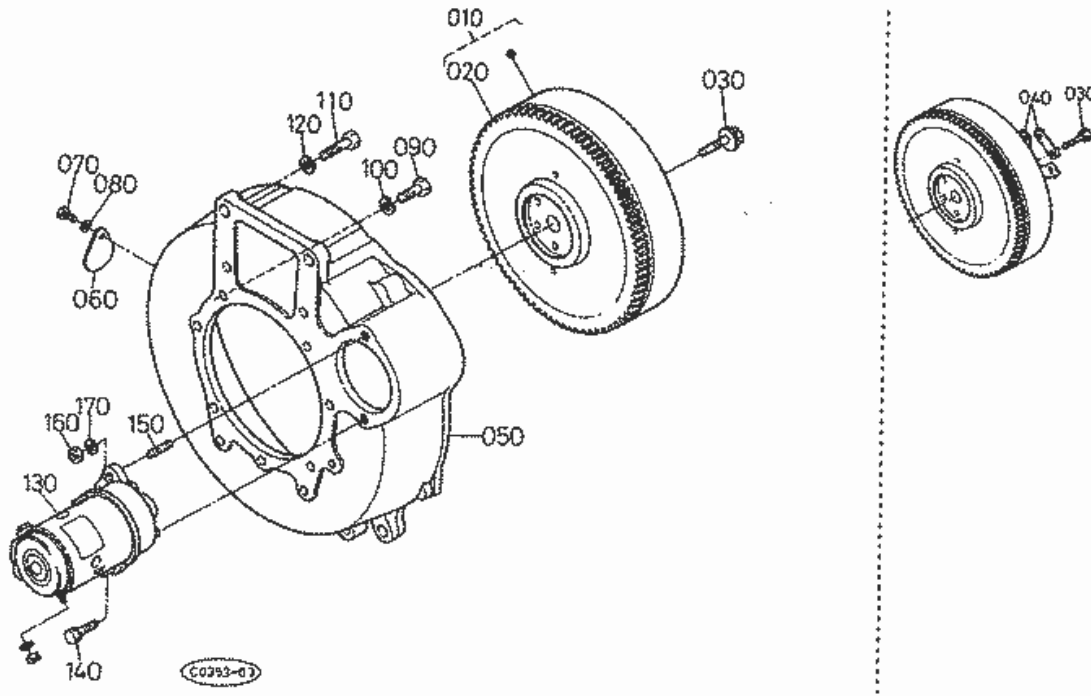
As of 08-09-2015



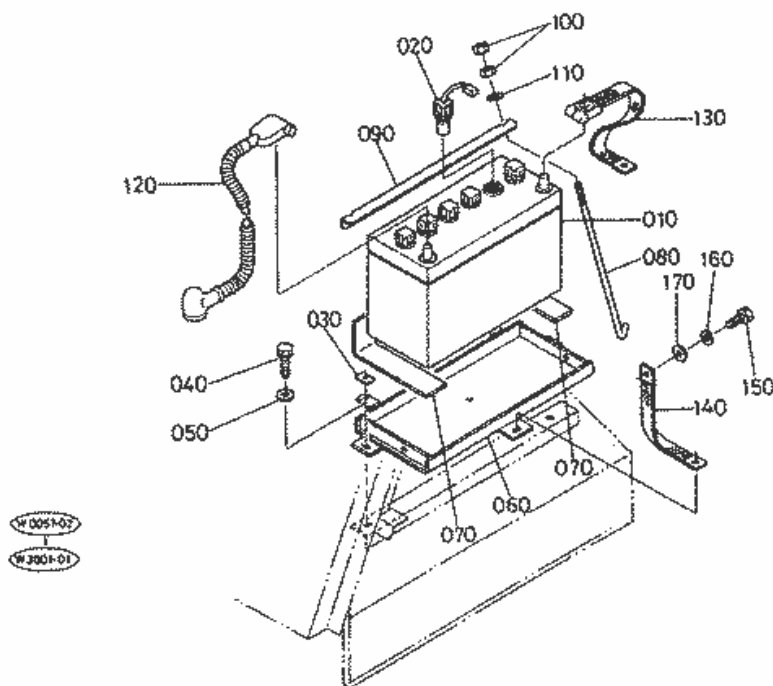
Part Number	Position	Description	Notes	Stock	Picture?	Cart
15471-64010	010	ASSY DYNAMO		0		Add To Cart
15221-92010	020	NUT		0		Add To Cart
15221-94070	030	WASHER SPRING		0		Add To Cart
15471-64110	040	PULLEY DYNAMO		0		Add To Cart
15221-64130	050	FAN DYNAMO		0		Add To Cart
15253-64020	060	FRAME DRIVE END		0		Add To Cart
15221-64790	070	FELT OIL		0		Add To Cart
15221-64830	080	COVER FELT		0		Add To Cart
08121-06201	090	BEARING BALL		0		Add To Cart
15221-64710	100	PLATE RETAINER		0		Add To Cart
15221-64150	110	COLLAR		0		Add To Cart
15321-64260	120	BOLT THROUGH		0		Add To Cart
15221-64160	130	SPACER		0		Add To Cart
15606-64030	140	ARMATURE		0		Add To Cart
08141-06202	150	BEARING,BALL		0		Add To Cart
15606-64050	160	YOKE		0		Add To Cart
15321-64070	170	ASSY FRAME END		0		Add To Cart
15321-64850	180	ASSY RECTIFIER		0		Add To Cart
15221-64210	190	BUSH		0		Add To Cart
15321-64880	200	WASHER INSULATION		0		Add To Cart
15321-64060	210	FRAME END		0		Add To Cart
15321-64230	220	COVER END		0		Add To Cart
04512-50050	230	WASHER,SPRING LOCK		0		Add To Cart
15221-92030	240	NUT		0		Add To Cart
15321-64920	250	BUSH INSULATION		0		Add To Cart
04512-50060	260	WASHER,SPRING LOCK		0		Add To Cart
15221-64910	270	BUSH INSULATION		0		Add To Cart
15321-64310	280	ASSY HOLDER BRUSH		0		Add To Cart
15221-64330	290	SPRING BRUSH		0		Add To Cart
15221-64880	300	WASHER INSULATION		0		Add To Cart
15221-64090	310	BRUSH		0		Add To Cart
15321-64940	320	INSULATOR TERMINAL		0		Add To Cart
15321-67570	330	CLAMP CORD		0		Add To Cart
15321-64170	340	SPACER		0		Add To Cart

Parts Hotline : 877-260-3528

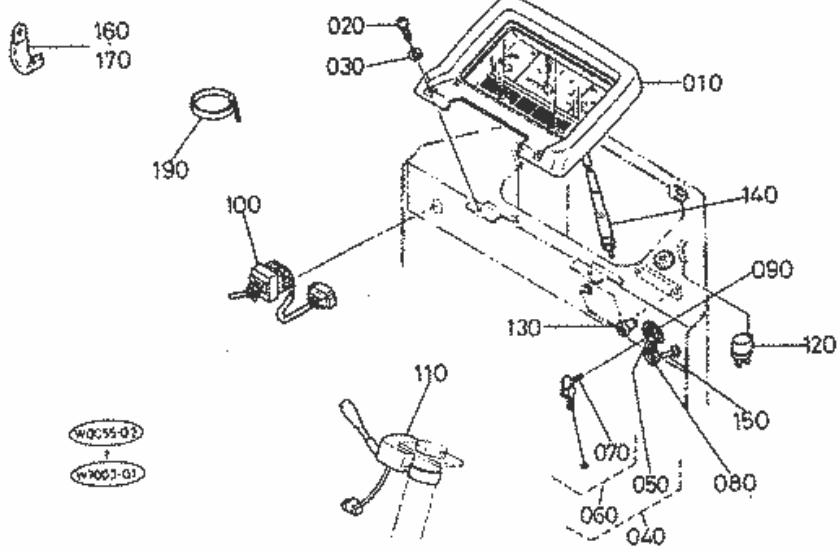
As of 08-09-2015



Part Number	Position	Description	Notes	Stock	Picture?	Cart
15833-25012	010	COMP.FLYWHEEL		0		Add To Cart
15606-63820	020	GEAR RING		0		Add To Cart
15521-25160	030	BOLT FLYWHEEL	S/N Break. Please Call	0		Add To Cart
15521-25162	030	BOLT FLYWHEEL	S/N Break. Please Call	0		Add To Cart
15521-25170	040	WASHER FLYWHEEL	DISCONTINUANCE	0		Add To Cart
15833-04610	050	HOUSING FLYWHEEL		0		Add To Cart
31220-14170	060	COVER		0		Add To Cart
01153-50812	070	HEX.BOLT		0	Yes	Add To Cart
04512-50080	080	WASHER,SPRING LOCK		0		Add To Cart
01073-51030	090	BOLT		3	Yes	Add To Cart
04512-50100	100	WASHER,SPRING LOCK		0		Add To Cart
01073-51240	110	HEX.BOLT		0		Add To Cart
04512-50120	120	WASHER,SPRING LOCK		0		Add To Cart
15833-63010	130	ASSY STARTER		0		Add To Cart
01133-51030	140	BOLT,SEMS		14	Yes	Add To Cart
01517-51028	150	BOLT,STUD		5		Add To Cart
02176-50100	160	HEX.NUT		6	Yes	Add To Cart
04512-50100	170	WASHER,SPRING LOCK		0		Add To Cart



Part Number	Position	Description	Notes	Stock	Picture?	Cart
68351-53230	010	BATTERY		0		Add To Cart
38240-33370	020	SENER BATTERY		0		Add To Cart
68817-53360	030	CUSHION		0		Add To Cart
01133-51016	040	BOLT,SEMS		3	Yes	Add To Cart
04013-50100	050	WASHER,PLAIN		0		Add To Cart
68817-53350	060	SUPPORT BATTERY		0		Add To Cart
68241-53312	070	CUSHION		0		Add To Cart
34260-33290	080	BOLT,BATTERY		0		Add To Cart
32350-33270	090	RETAINER BATTERY		0		Add To Cart
02114-50080	100	HEX.NUT		28	Yes	Add To Cart
04013-50080	110	WASHER,PLAIN		0		Add To Cart
68811-53310	120	CORD BATTERY		0		Add To Cart
34150-33380	130	CORD EARTH		0		Add To Cart
68811-53330	140	CORD BODY EARTH		0		Add To Cart
01173-51220	150	HEX.BOLT		3	Yes	Add To Cart
04512-50120	160	WASHER,SPRING LOCK		0		Add To Cart
04015-50120	170	WASHER,PLAIN		0		Add To Cart



~20046



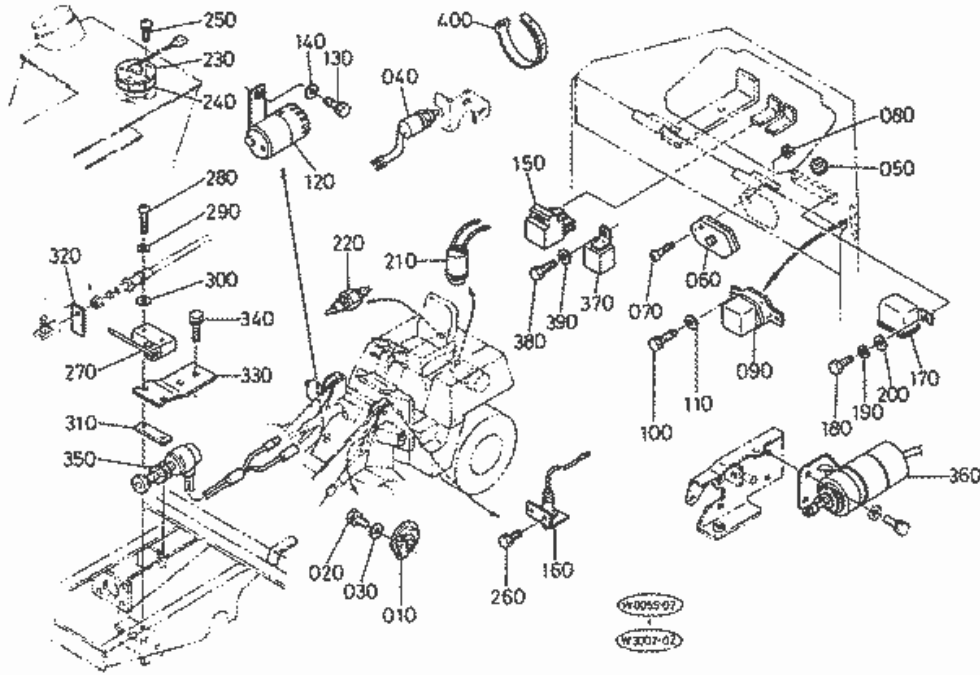
~20180



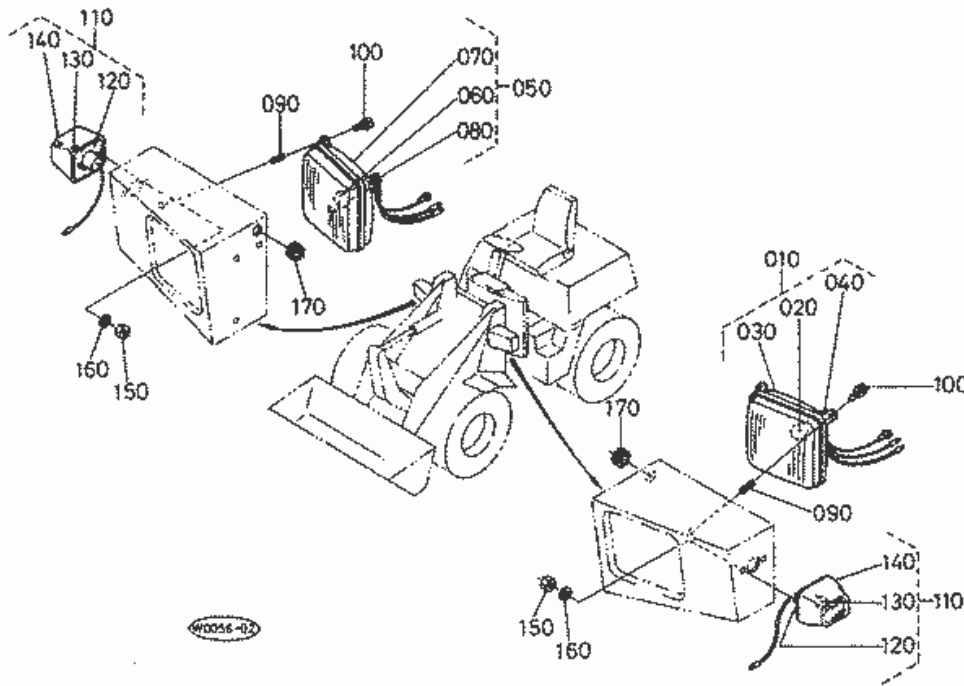
Part Number	Position	Description	Notes	Stock	Picture?	Cart
68811-53102	010	ASSY BOARD PANEL		0		Add To Cart
03004-50616	020	SCREW,SEMS(PAN HEAD)		7	Yes	Add To Cart
04013-50060	030	WASHER, PLAIN		2		Add To Cart
68641-53600	040	ASSY SWITCH STARTER	S/N Break. Please Call CHANGE	0		Add To Cart
68811-53200	040	ASSY SWITCH STARTER	S/N Break. Please Call	0		Add To Cart
68051-53210	050	SWITCH STARTER	S/N Break. Please Call CHANGE	0		Add To Cart
68331-53610	050	SWITCH STARTER	S/N Break. Please Call	0		Add To Cart
68385-53630	060	ASSY KEY SWITCH	S/N Break. Please Call CHANGE	0		Add To Cart
68811-53220	060	ASSY KEY SWITCH	S/N Break. Please Call	0		Add To Cart
68551-53640	070	KEY START		0		Add To Cart
54611-41120	080	CAP STARTER SWITCH		0		Add To Cart
66706-55150	090	LABEL STARTER SWITCH	S/N Break. Please Call CHANGE	1	Yes	Add To Cart
66711-55150	090	LABEL STARTER SWITCH	S/N Break. Please Call	0		Add To Cart
54721-41300	100	ASSY SWITCH		1		Add To Cart
38450-32600	110	ASSY SWITCH WINKER		0		Add To Cart
38430-33700	120	UNIT FLASHER		0		Add To Cart
69211-53140	130	SWITCH LIGHT		0		Add To Cart
68811-53510	140	CABLE HOUR METER		0		Add To Cart
54721-41300	150	ASSY SWITCH	S/N Break. Please Call CHANGE	1		Add To Cart
68811-91710	150	SWITCH LIGHT	S/N Break. Please Call	0		Add To Cart
35340-29380	160	CLAMP,CORD	S/N Break. Please Call	0		Add To Cart
35340-29380	160	CLAMP,CORD	S/N Break. Please Call CHANGE OF QUANTITY	0		Add To Cart
68111-53520	170	CLAMP CORD		0		Add To Cart
68811-53710	180	CLAMP CORD	S/N Break. Please Call DISCONTINUANCE	0		Add To Cart
68331-52480	190	CLAMP CORD		0		Add To Cart

Parts Hotline : 877-260-3528

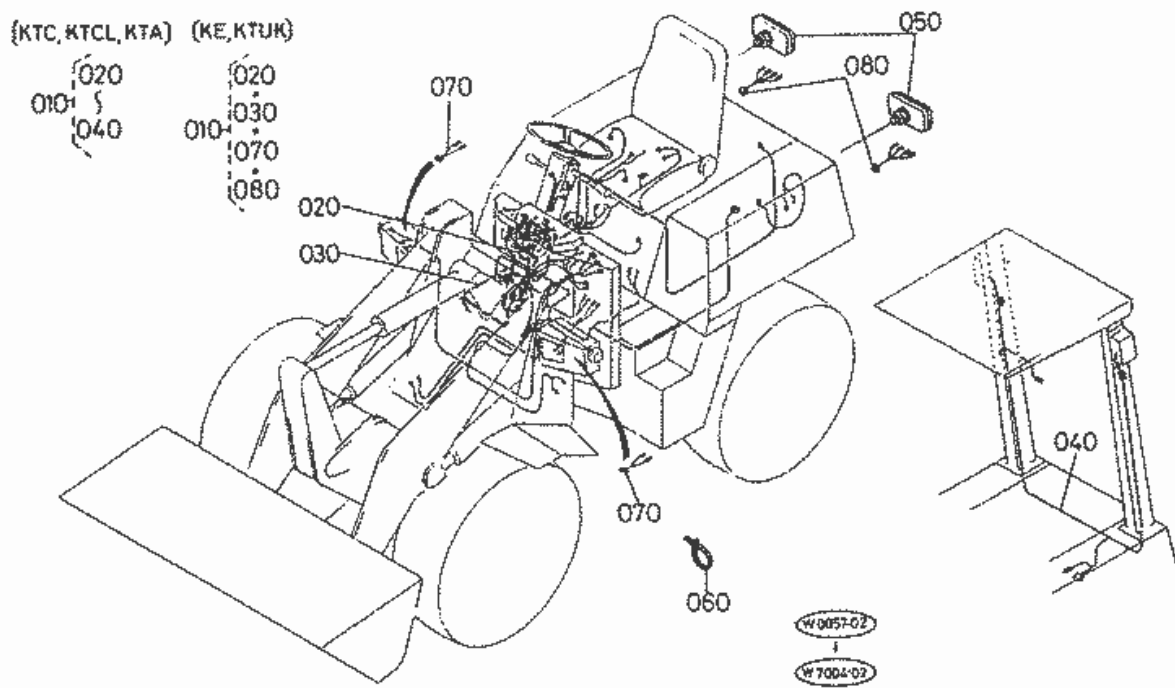
As of 08-09-2015



Part Number	Position	Description	Notes	Stock	Picture?	Cart
33430-75950	010	ASSY HORN	S/N Break. Please Call	0		Add To Cart
68171-53130	010	HORN	S/N Break. Please Call	0		Add To Cart
01123-50825	020	BOLT,SEMS		35	Yes	Add To Cart
04013-50080	030	WASHER,PLAIN		0		Add To Cart
37150-32240	040	SWITCH,SAFETY		0	Yes	Add To Cart
15471-65950	050	INDICATOR GLOW PLUG		0		Add To Cart
68741-53280	060	ASSY BOX FUSE		0		Add To Cart
03024-50516	070	SCREW,SEMS(PAN HEAD)		0		Add To Cart
02054-50050	080	HEX.NUT		10	Yes	Add To Cart
33251-74010	090	ASSY REGULATOR		0		Add To Cart
01023-50612	100	BOLT,SEMS		16	Yes	Add To Cart
04013-50060	110	WASHER, PLAIN		2		Add To Cart
55611-42100	120	ASSY BUZZER BACK		0		Add To Cart
01123-50814	130	BOLT,SEMS		16	Yes	Add To Cart
04013-50080	140	WASHER,PLAIN		0		Add To Cart
36919-75030	150	RELAY		0		Add To Cart
36540-75150	160	COMP SWITCH MONITOR		0		Add To Cart
38450-32712	170	RELAY WINKER		0		Add To Cart
01153-50812	180	HEX.BOLT		0	Yes	Add To Cart
04512-50080	190	WASHER,SPRING LOCK		0		Add To Cart
04013-50080	200	WASHER,PLAIN		0		Add To Cart
68817-53620	210	SENER VACUUM		0		Add To Cart
38240-32830	220	SWITCH THERMOMETER		1	Yes	Add To Cart
68811-53610	230	UNIT FUEL		0		Add To Cart
36330-75310	240	GASKET		0		Add To Cart
03024-50512	250	SCREW,SEMS(PAN HEAD)		0	Yes	Add To Cart
01123-50816	260	BOLT,SEMS		6		Add To Cart
68817-53810	270	SWITCH LIMIT		0		Add To Cart
03054-50430	280	SCREW PAN HEAD		0		Add To Cart
04512-50040	290	WASHER SPRING		0		Add To Cart
04013-50040	300	WASHER,PLAIN		0		Add To Cart
68811-31150	310	NUT		0		Add To Cart
68817-41440	320	PLATE		0		Add To Cart
68817-33290	330	BRACKET LIMIT SWITCH		0		Add To Cart
01123-50814	340	BOLT,SEMS		16	Yes	Add To Cart
54761-35950	350	SWITCH STOP		0		Add To Cart
15471-60010	360	SOLENOID STOP		7	Yes	Add To Cart
31351-31410	370	TIMER		0		Add To Cart
01023-50612	380	BOLT,SEMS		16	Yes	Add To Cart
04013-50060	390	WASHER, PLAIN		2		Add To Cart
55311-41260	400	BAND,CORD	S/N Break. Please Call	5	Yes	Add To Cart



Part Number	Position	Description	Notes	Stock	Picture?	Cart
36330-75920	010	ASSY LIGHT HEAD LH		0		Add To Cart
38450-33870	020	BULB		8	Yes	Add To Cart
36330-75930	030	COMP.LIGHT UNIT LH		0		Add To Cart
36330-75840	040	COMP.CORD SOCKET		0		Add To Cart
36330-75800	050	ASSY LIGHT HEAD RH		0		Add To Cart
38450-33870	060	BULB		8	Yes	Add To Cart
36330-75810	070	COMP.LIGHT UNIT RH		0		Add To Cart
36330-75840	080	COMP.CORD SOCKET		0		Add To Cart
68811-53180	090	SPRING LIGHT		2		Add To Cart
03054-50530	100	SCREW,PAN HEAD(PHILL		4		Add To Cart
55411-41500	110	ASSY LAMP WINKER		0		Add To Cart
55411-41510	120	BODY		0		Add To Cart
55411-41520	130	LENS		0		Add To Cart
36200-75170	140	BULB LIGHT		0		Add To Cart
02014-50060	150	HEX.NUT		50	Yes	Add To Cart
04512-50060	160	WASHER,SPRING LOCK		0		Add To Cart
32150-29180	170	CAP,RUBBER		2	Yes	Add To Cart



Part Number	Position	Description	Notes	Stock	Picture?	Cart
68817-53403	010	ASSY WIRE HARNESS	KTC KTCL	0		Add To Cart
68817-53410	020	WIRE HARNESS	S/N Break. Please Call	0		Add To Cart
68817-53414	020	WIRE HARNESS	S/N Break. Please Call CHANGE	0		Add To Cart
68817-53422	030	WIRE HARNESS		0		Add To Cart
68817-53492	040	WIRE HARNESS		0		Add To Cart
66021-52130	050	REFLECTOR		-2		Add To Cart
55311-41260	060	BAND,CORD		5	Yes	Add To Cart

Parts Hotline : 877-260-3528

As of 08-09-2015

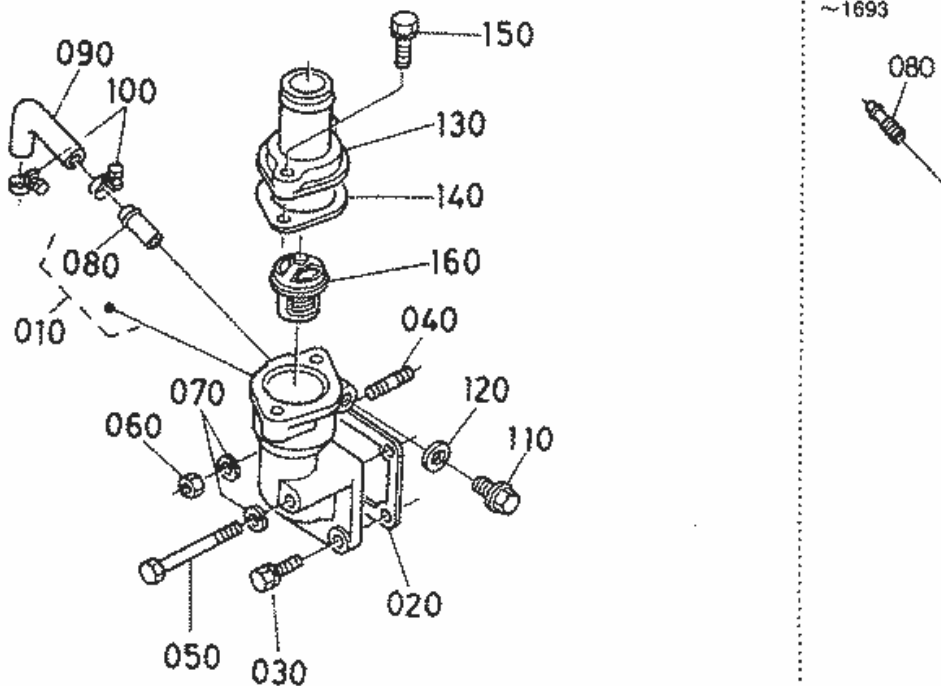
These parts diagrams are used by our staff in determining the proper parts for your equipment. Please note that the information is current as of the creation date of this document. As time passes prices increase and part numbers may be replaced by other assemblies. For the most current information please visit our website which is able to display some (not all) additional information regarding the parts that you may need. If there is ever any question of what your looking at do not hesitate to contact us.

This is an active PDF document. The listed part information links to our website. You can click and visit for the most current information, pictures, and ordering options. We are a full service dealership and pride ourselves in giving world class support to all customers. If we can assist you in anyway, please call 877-260-3528 and our staff will help guide you.

Thanks for your inquiry.

The parts staff @ Messicks.com

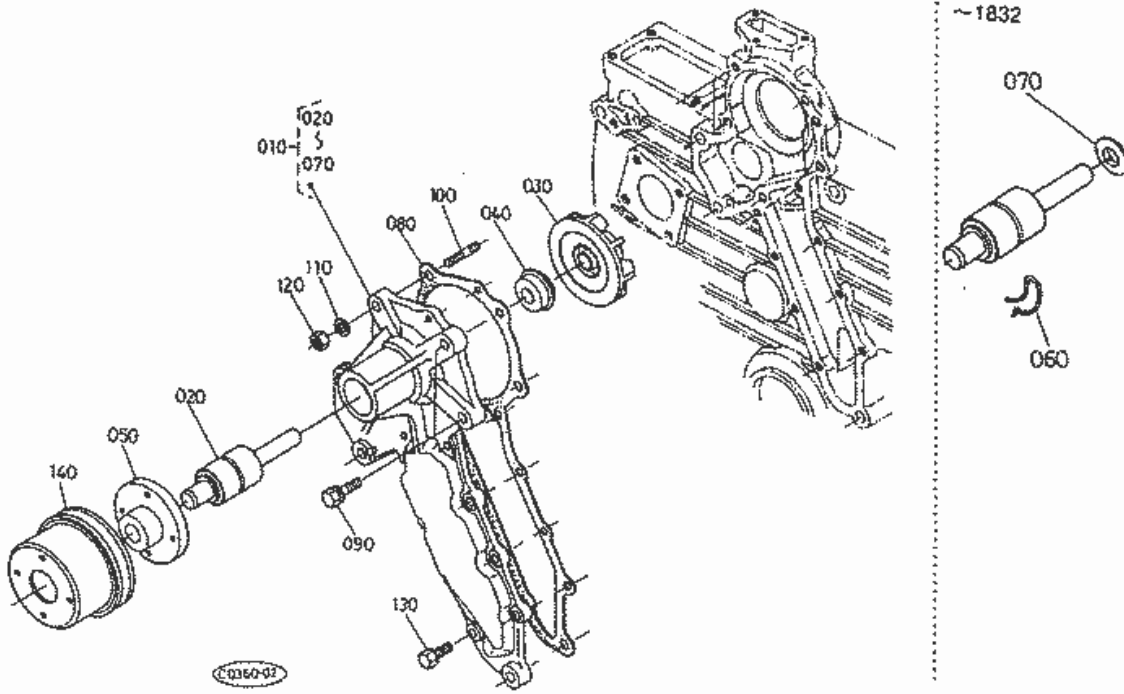
Kubota R400B COOLING SYSTEM 026000 WATER FLANGE



Part Number	Position	Description	Notes	Stock	Picture?	Cart
15512-72700	010	COMP.FLANGE WATER	S/N Break. Please Call CHANGE CHANGEMENT	0		Add To Cart
15512-72910	010	FLANGE WATER	S/N Break. Please Call	0		Add To Cart
15521-72920	020	GASKET WATER FLANGE		0		Add To Cart
01123-50822	030	BOLT,SEMS		18	Yes	Add To Cart
01513-50822	040	BOLT,STUD		12	Yes	Add To Cart
01153-50870	050	HEX.BOLT		7		Add To Cart
02156-50080	060	HEX.NUT		30	Yes	Add To Cart
04512-50080	070	WASHER,SPRING LOCK		0		Add To Cart
15321-73340	080	PIPE,WATER RETURN	S/N Break. Please Call	1		Add To Cart
17331-73340	080	PIPE WATER RETURN	S/N Break. Please Call CHANGE CHANGEMENT	0		Add To Cart
15521-73340	090	PIPE WATER RETURN		2	Yes	Add To Cart
15109-73360	100	BAND,PIPE		2	Yes	Add To Cart
15521-96010	110	PLUG		1		Add To Cart
04717-02150	120	SPRING SEAT	S/N Break. Please Call	2		Add To Cart
04724-00210	120	GASKET	S/N Break. Please Call	4		Add To Cart
15321-73260	130	COVER,THERMOSTAT		3	Yes	Add To Cart
15321-73270	140	GASKET		0		Add To Cart
01123-50835	150	BOLT,SEMS		3	Yes	Add To Cart
15321-73010	160	ASSY THERMOSTAT		0		Add To Cart

Parts Hotline : 877-260-3528

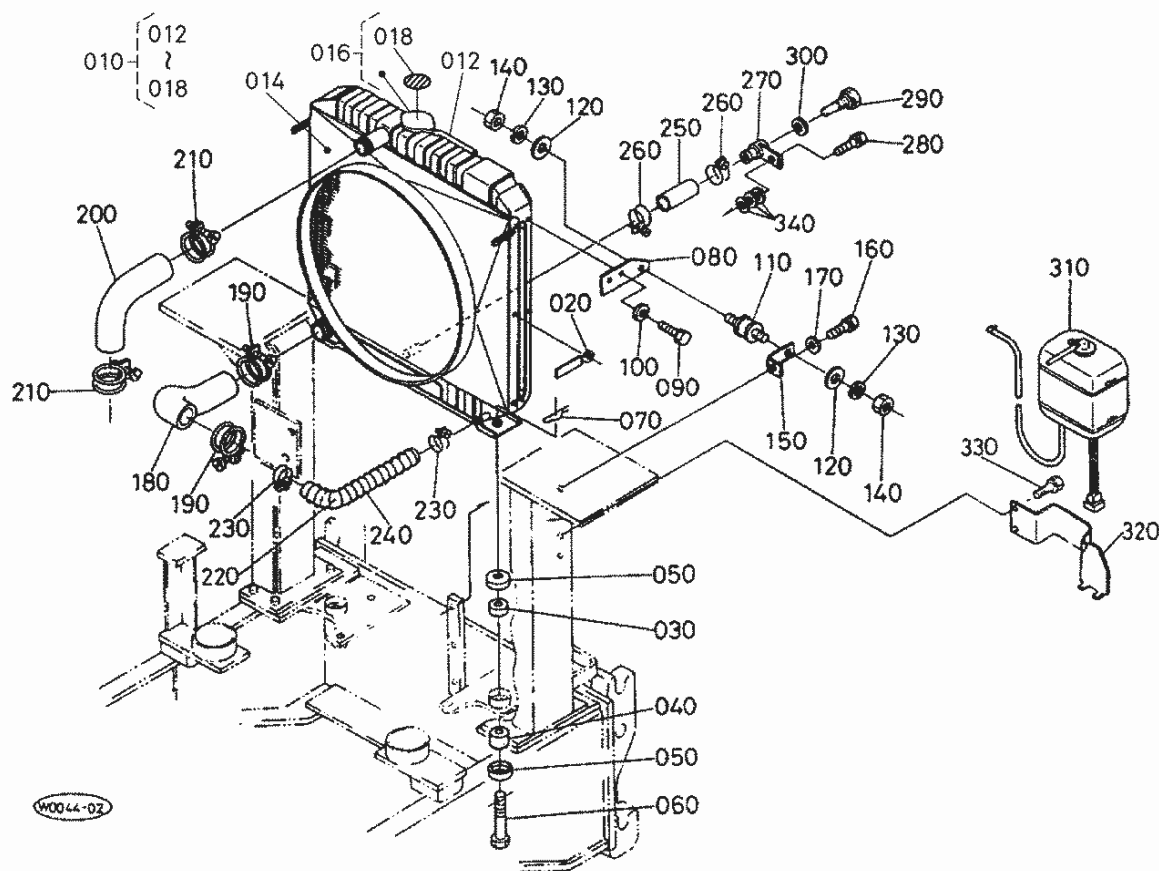
As of 08-09-2015



Part Number	Position	Description	Notes	Stock	Picture?	Cart
15521-73030	010	ASSY PUMP WATER		0		Add To Cart
15521-73550	020	BEARING		0		Add To Cart
15321-73510	030	IMPELLER WATER PUMP	S/N Break. Please Call	0		Add To Cart
15521-73510	030	IMPELLER WATER PUMP	S/N Break. Please Call CHANGE CHANGEMENT	0		Add To Cart
15121-73050	040	SET SEAL	S/N Break. Please Call	0		Add To Cart
19202-73050	040	ASSY SEAL MECHANICAL	S/N Break. Please Call CHANGE CHANGEMENT	1	Yes	Add To Cart
15521-73520	050	FLANGE WATER PUMP		0		Add To Cart
15521-94810	060	PIN SNAP	S/N Break. Please Call DISCONTINUANCE	0		Add To Cart
15121-73620	070	SLINGER	S/N Break. Please Call DISCONTINUANCE	0		Add To Cart
15521-73430	080	GASKET WATER PUMP		0		Add To Cart
01123-50828	090	BOLT,SEMS		19	Yes	Add To Cart
15521-91510	100	STUD		0		Add To Cart
04512-50080	110	WASHER,SPRING LOCK		0		Add To Cart
02156-50080	120	HEX.NUT		30	Yes	Add To Cart
01023-50618	130	BOLT,SEMS		4	Yes	Add To Cart
15471-74250	140	PULLEY,FAN		0		Add To Cart

Parts Hotline : 877-260-3528

As of 08-09-2015



Part Number	Position	Description	Notes	Stock	Picture?	Cart
68811-42310	010	ASSY RADIATOR		0		Add To Cart
15471-72110	012	RADIATOR		0		Add To Cart
68811-92110	014	SHROUD,FAN		0		Add To Cart
15272-72020	016	CAP RADIATOR		8	Yes	Add To Cart
19077-87240	018	LABEL,CAUTION		0		Add To Cart
15471-72730	020	CLAMP PIPE		0		Add To Cart
15111-72180	030	CUSHION		2	Yes	Add To Cart
15111-72190	040	CUSHION		2	Yes	Add To Cart
15111-72200	050	WASHER		4	Yes	Add To Cart
15108-72380	060	BOLT		2		Add To Cart
05515-51000	070	PIN SNAP		0		Add To Cart
68817-42910	080	BRACKET		0		Add To Cart
01023-50616	090	BOLT,SEMS		3	Yes	Add To Cart
04013-50060	100	WASHER, PLAIN		2		Add To Cart
68131-43380	110	CUSHION		0		Add To Cart
04015-50080	120	WASHER,PLAIN		17	Yes	Add To Cart
04512-50080	130	WASHER,SPRING LOCK		0		Add To Cart
02114-50080	140	HEX.NUT		28	Yes	Add To Cart
68817-42330	150	BRACKET		0		Add To Cart
01123-50820	160	BOLT,SEMS		31	Yes	Add To Cart
04015-50080	170	WASHER,PLAIN		17	Yes	Add To Cart
68811-42382	180	PIPE WATER		0		Add To Cart
15108-72870	190	BAND		28	Yes	Add To Cart
68811-42320	200	PIPE WATER		0		Add To Cart
15108-72870	210	BAND		28	Yes	Add To Cart
68811-42390	220	PIPE WATER RETURN		1		Add To Cart
15109-73360	230	BAND,PIPE		2	Yes	Add To Cart
68111-42342	240	SPRING PIPE		1		Add To Cart
68811-42350	250	PIPE DRAIN		0		Add To Cart
15109-73360	260	BAND,PIPE		2	Yes	Add To Cart
68811-42360	270	JOINT DRAIN PIPE		0		Add To Cart
01133-51016	280	BOLT,SEMS	S/N Break. Please Call	3	Yes	Add To Cart
01133-51025	280	BOLT,SEMS	S/N Break. Please Call CHANGE	0	Yes	Add To Cart
68811-42510	290	PLUG		0		Add To Cart
04717-01200	300	WASHER,SEAL		19	Yes	Add To Cart
68811-42370	310	ASSY TANK RESERVE		0		Add To Cart
68817-42340	320	BRACKET RESERVE TANK	S/N Break. Please Call	0		Add To Cart
68817-42343	320	BRACKET RESERVE TANK	S/N Break. Please Call CHANGE	0		Add To Cart
01123-50816	330	BOLT,SEMS		6		Add To Cart
04011-50100	340	WASHER,PLAIN	S/N Break. Please Call ADD	36	Yes	Add To Cart

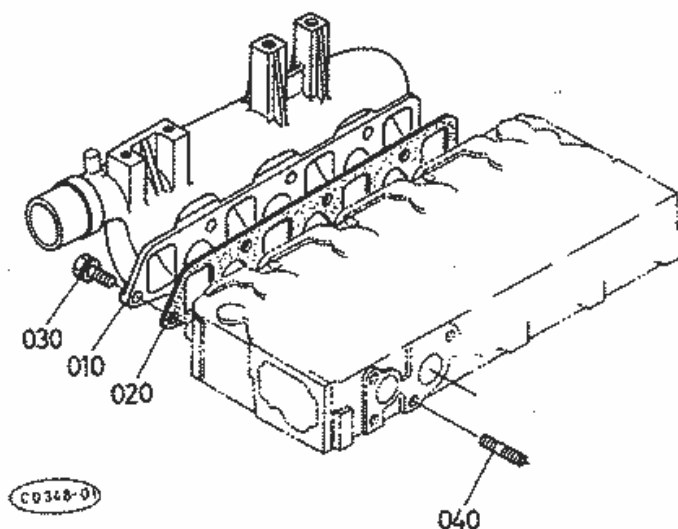
These parts diagrams are used by our staff in determining the proper parts for your equipment. Please note that the information is current as of the creation date of this document. As time passes prices increase and part numbers may be replaced by other assemblies. For the most current information please visit our website which is able to display some (not all) additional information regarding the parts that you may need. If there is ever any question of what you are looking at do not hesitate to contact us.

This is an active PDF document. The listed part information links to our website. You can click and visit for the most current information, pictures, and ordering options. We are a full service dealership and pride ourselves in giving world class support to all customers. If we can assist you in anyway, please call 877-260-3528 and our staff will help guide you.

Thanks for your inquiry.

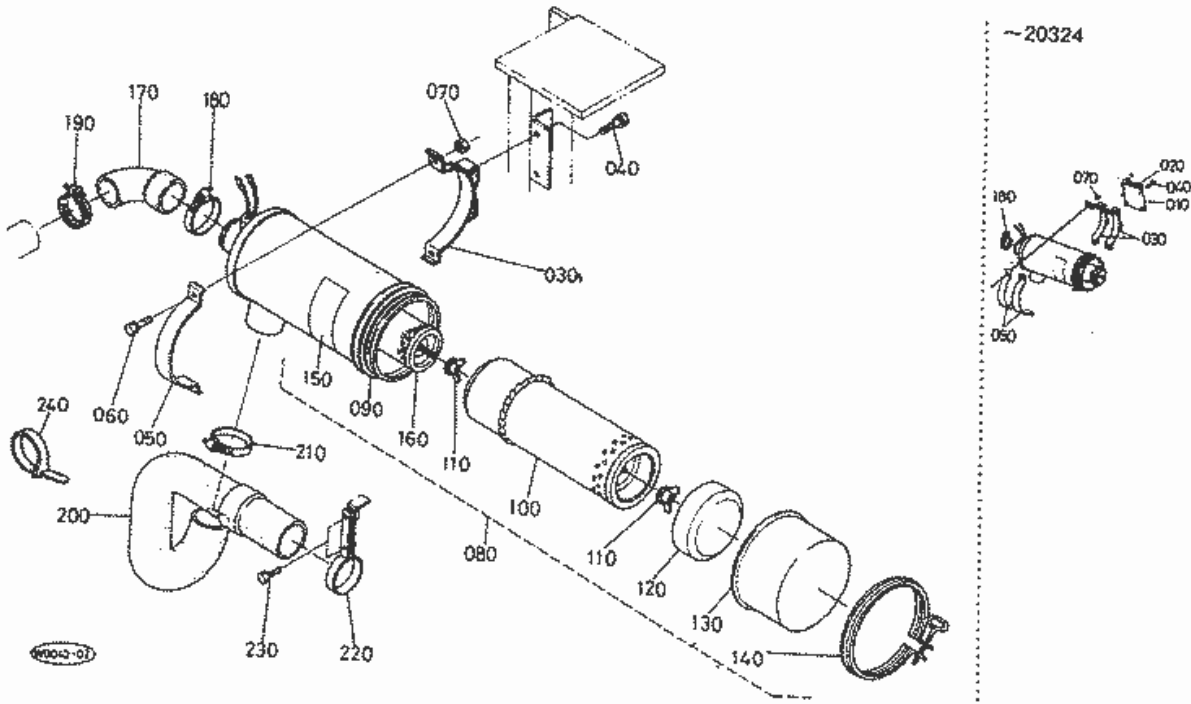
The parts staff @ Messicks.com

Kubota R400B AIR INTAKE SYSTEM 012000 INLET MANIFOLD



Part Number	Position	Description	Notes	Stock	Picture?	Cart
15461-11760	010	MANIFOLD INLET		0		Add To Cart
15471-11823	020	GASKET		0		Add To Cart
01123-50822	030	BOLT, SEMS		18	Yes	Add To Cart
15833-91530	040	STUD		0		Add To Cart

Kubota R400B AIR INTAKE SYSTEM 013000 AIR CLEANER



Part Number	Position	Description	Notes	Stock	Picture?	Cart
68811-42230	010	CLAMP	S/N Break. Please Call DISCONTINUANCE	0		Add To Cart
01123-50816	020	BOLT,SEMS	S/N Break. Please Call DISCONTINUANCE	6		Add To Cart
68241-42250	030	BAND AIR CLEANER	S/N Break. Please Call	0		Add To Cart
68241-42250	030	BAND AIR CLEANER	S/N Break. Please Call CHANGE OF QUANTITY	0		Add To Cart
01123-50816	040	BOLT,SEMS	S/N Break. Please Call	6		Add To Cart
01123-50816	040	BOLT,SEMS	S/N Break. Please Call CHANGE OF QUANTITY	6		Add To Cart
68241-42260	050	BAND AIR CLEANER	S/N Break. Please Call	0		Add To Cart
68241-42260	050	BAND AIR CLEANER	S/N Break. Please Call CHANGE OF QUANTITY	0		Add To Cart
01123-50835	060	BOLT,SEMS	S/N Break. Please Call	3	Yes	Add To Cart
01123-50835	060	BOLT,SEMS	S/N Break. Please Call CHANGE OF QUANTITY	3	Yes	Add To Cart
02114-50080	070	HEX.NUT	S/N Break. Please Call	28	Yes	Add To Cart
02114-50080	070	HEX.NUT	S/N Break. Please Call CHANGE OF QUANTITY	28	Yes	Add To Cart
68817-42200	080	ASSY CLEANER AIR		0		Add To Cart
68811-42210	090	ASSY BODY CLEANER		0		Add To Cart
15606-11080	100	ASSY ELEMENT CLEANER		0		Add To Cart
15401-92620	110	BOLT WING		0		Add To Cart
15606-11410	120	COVER BAFFLE		0		Add To Cart
15471-11160	130	COVER AIR CLEANER		0		Add To Cart
15606-11070	140	ASSY BAND AIRCLEANER		0		Add To Cart
15401-87450	150	LABEL AIR CLEANER		0		Add To Cart
17381-11180	160	ASSY ELEMENT INNER		3	Yes	Add To Cart
68811-42223	170	PIPE INLET		0		Add To Cart
15606-11720	180	BAND PIPE	S/N Break. Please Call	0		Add To Cart
68811-42270	180	BAND,PIPE	S/N Break. Please Call CHANGE	0		Add To Cart
15401-11720	190	BAND,PIPE		0		Add To Cart
68811-42242	200	PIPE INLET		0		Add To Cart
68811-42270	210	BAND,PIPE		0		Add To Cart
68811-43630	220	HOLDER INLET PIPE		0		Add To Cart
01123-50820	230	BOLT,SEMS		31	Yes	Add To Cart
71585-11190	240	BAND,INLET PIPE		0		Add To Cart